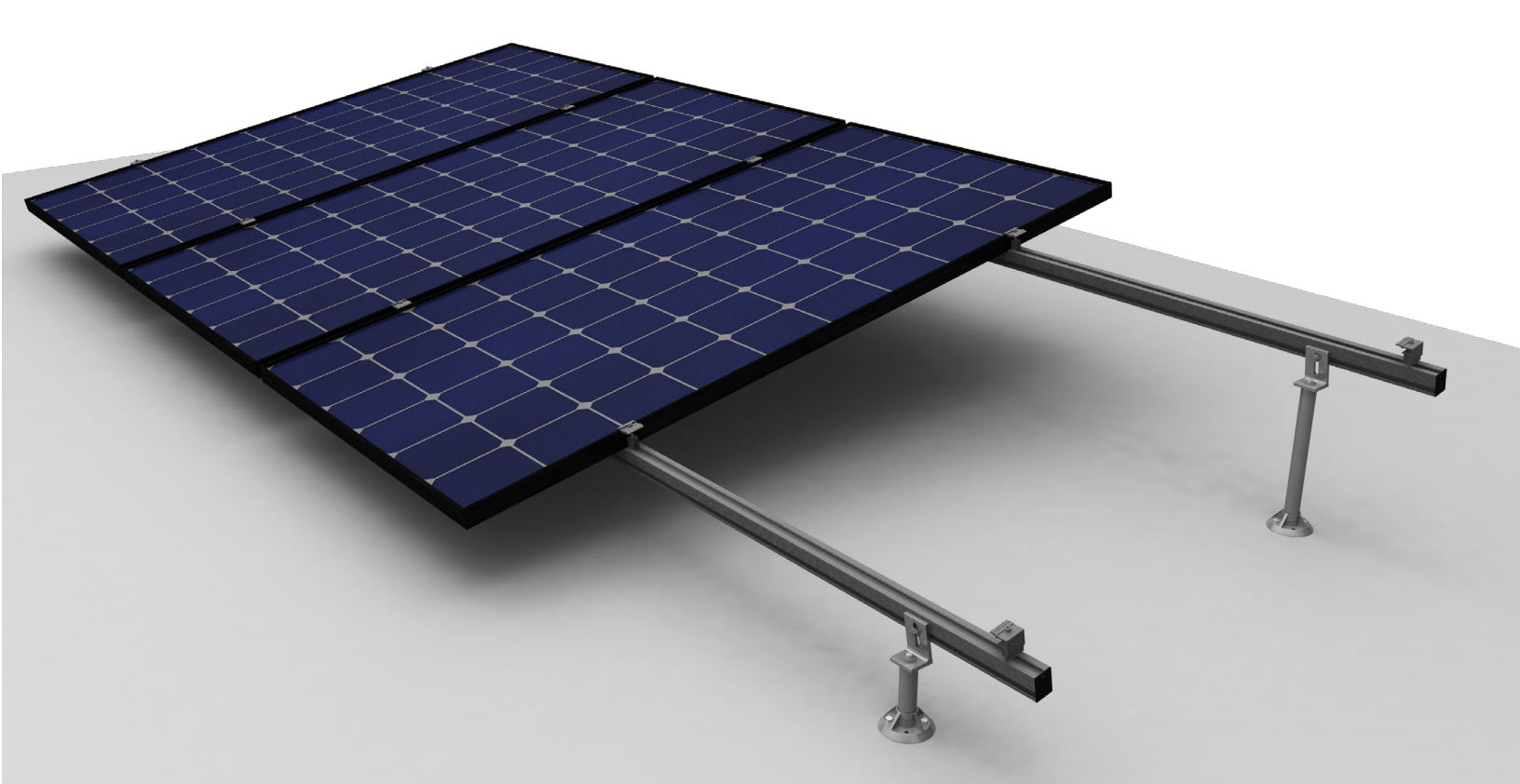


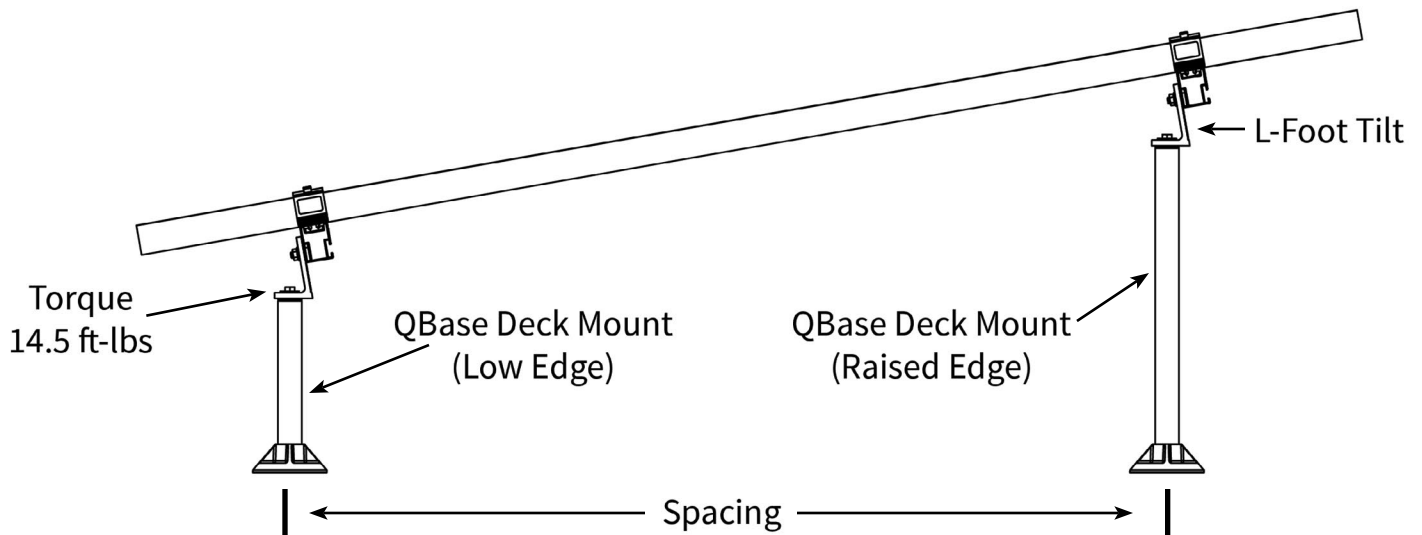
# QRail Tilt System

## Supplemental Instructions



# QRail Tilt System Installation Instructions

**Installation Tools Required:** drill, impact gun with bits appropriate to selected fasteners, tube of sealant compatible with roofing materials, pencil, chalk line, tape measure



QBase Deck Mounts (QMQDM) are to be installed at the appropriate spacing between low edge and raised edge. Refer to Mounting Tables below. Attach either 5 degree or 10 degree L-Foot (QMC-LF5 or QMC-LF10) to top of the QBase Deck Mount post using the mounting hardware provided with the QBase Deck Mount. Torque to 14.5 ft-lbs.

## QBase Deck Mount and QRail Racking Installation

In addition to these Supplemental Instructions, you will need to consult with mounting, racking and module manufacturer installation instructions.

- For mount installation, flashing and torque specification refer to the QBase Deck Mount installation guides.
- For racking installation, module installation, and grounding refer to the QRail Racking System full instructions.
- For module clamping zones refer to the module manufacturer instructions.
- For BOMs and engineering design support contact your Quick Mount PV Sales Rep or call 925-478-8269.
- Spans and mounting shall be verified by Engineer of Record considering the site-specific structural analysis.

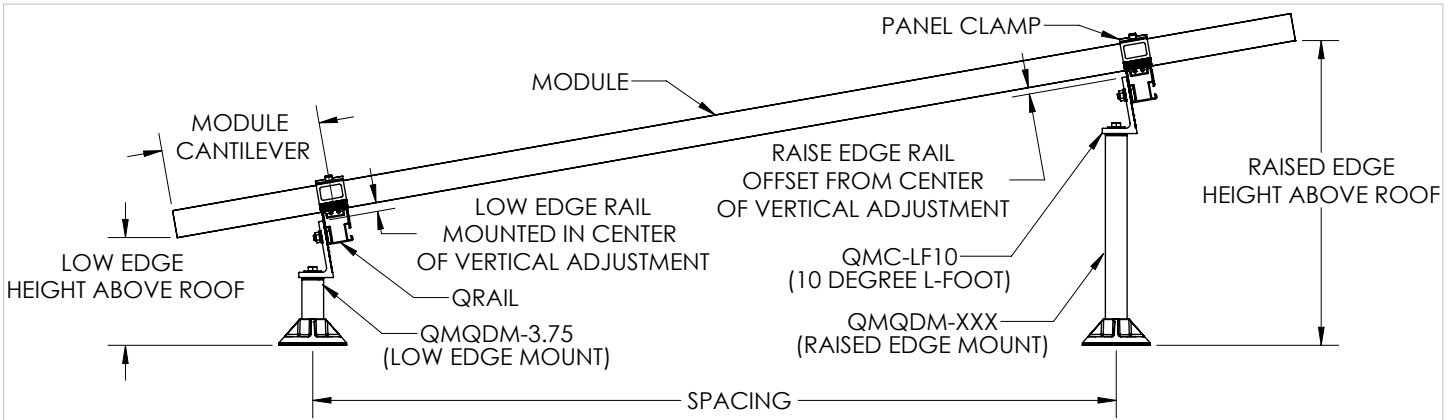
### Links:

[QBase Deck Mount](#)

[QRail Racking System](#)

[Mounting Tables](#)





QRAIL TILT: QMQDM-3.75 LOW EDGE MOUNT WITH 10 DEGREE TILT

VARIABLES	PORTRAIT		LANDSCAPE
	60 CELL	72 CELL	60 & 72 CELL
LOW EDGE MOUNT	QMQDM-3.75	QMQDM-3.75	QMQDM-3.75
RAISED EDGE MOUNT	QMQDM-12	QMQDM-12	QMQDM-8.75
SPACING (IN.)	46	46	28
MODULE CANTILEVER (IN.)	9.13	15.63	5.78
RAISED EDGE RAIL OFFSET FROM CENTER OF VERTICAL ADJUSTMENT (IN.)	-0.14	-0.14	-0.06
LOW EDGE HEIGHT ABOVE ROOF (IN.)	6.09	4.96	6.68
RAISED EDGE ABOVE ROOF (IN.)	17.38	18.51	13.62

Quick Mount PV<sup>®</sup>

TITLE:

QRAIL TILT: QMQDM-3.75 LOW EDGE MOUNT WITH 10 DEGREE TILT

UNLESS OTHERWISE SPECIFIED:

DIMENSIONS ARE IN INCHES  
 TOLERANCES:  
 FRACTIONAL ± 1/8  
 TWO PLACE DECIMAL ±.19  
 THREE PLACE DECIMAL ±.094

SIZE  
**A**

DRAWN BY: AAP

DATE: 4/24/2019

REV

1

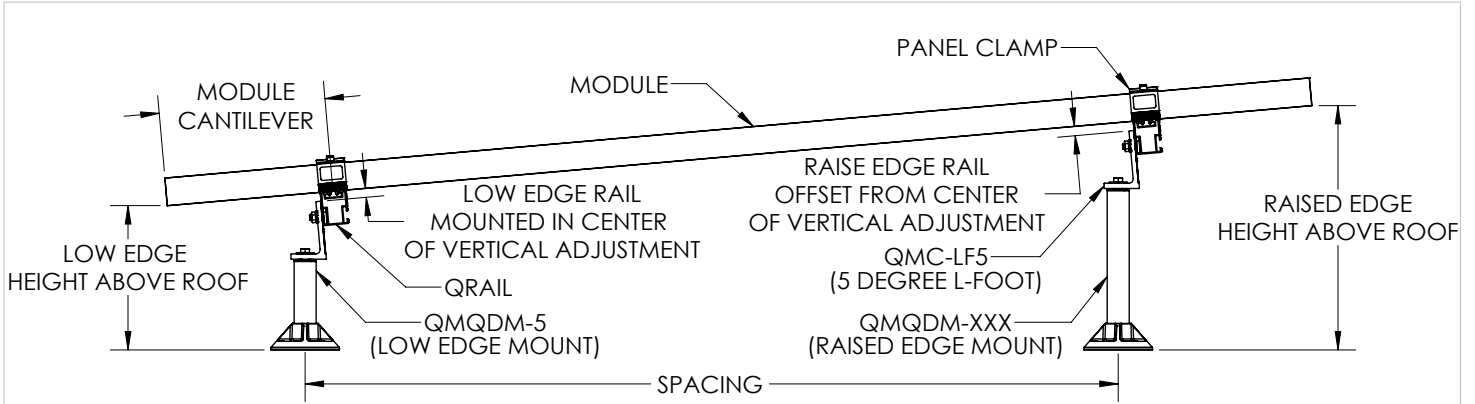
SCALE: 1:8

WEIGHT: 83.24

SHEET 1 OF 1

PROPRIETARY AND CONFIDENTIAL  
 THE INFORMATION CONTAINED IN THIS DRAWING IS THE SOLE PROPERTY OF QUICK MOUNT PV. ANY REPRODUCTION IN PART OR AS A WHOLE WITHOUT THE WRITTEN PERMISSION OF QUICK MOUNT PV IS PROHIBITED. COPYRIGHT © 2019 QUICK MOUNT PV

DO NOT SCALE DRAWING



QRAIL TILT: QMQDM-5 LOW EDGE MOUNT WITH 5 DEGREE TILT			
VARIABLES	PORTRAIT		LANDSCAPE
	60 CELL	72 CELL	60 & 72 CELL
LOW EDGE MOUNT	QMQDM-5	QMQDM-5	QMQDM-5
RAISED EDGE MOUNT	QMQDM-9	QMQDM-9	QMQDM-7.5
SPACING (IN.)	46	46	28
MODULE CANTILEVER (IN.)	9.41	15.91	5.94
RAISED EDGE RAIL OFFSET FROM CENTER OF VERTICAL ADJUSTMENT (IN.)	+0.02	+0.02	-0.05
LOW EDGE HEIGHT ABOVE ROOF (IN.)	8.09	7.52	8.39
RAISED EDGE ABOVE ROOF (IN.)	13.76	14.32	11.88

**Quick Mount PV<sup>®</sup>**

TITLE:

**QRAIL TILT: QMQDM-5 LOW EDGE MOUNT WITH 5 DEGREE TILT**

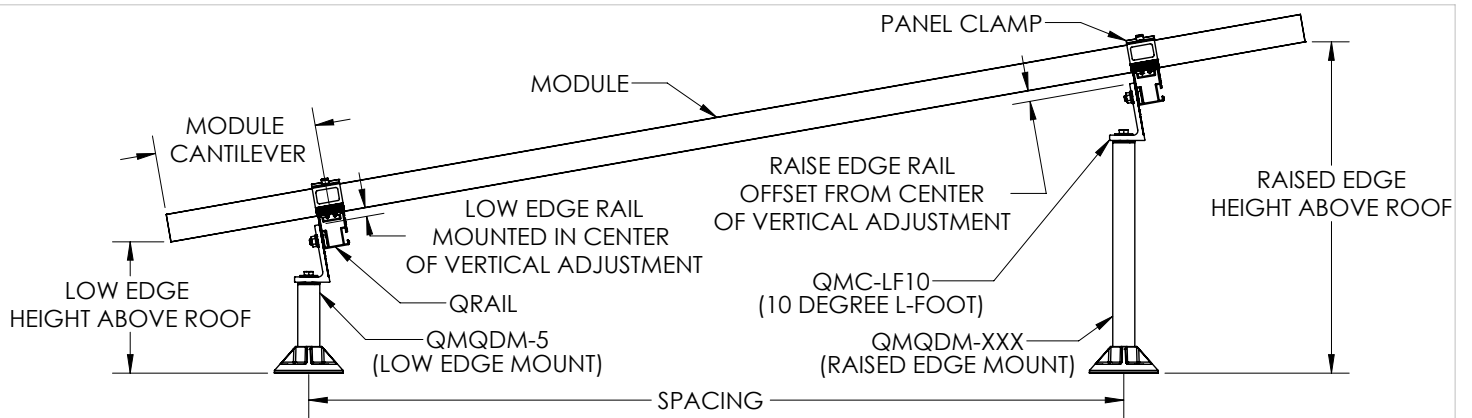
UNLESS OTHERWISE SPECIFIED:

DIMENSIONS ARE IN INCHES  
 TOLERANCES:  
 FRACTIONAL ± 1/8  
 TWO PLACE DECIMAL ±.19  
 THREE PLACE DECIMAL ±.094

SIZE	DRAWN BY: AAP	REV
<b>A</b>	DATE: 4/24/2019	1
SCALE: 1:8	WEIGHT: 83.16	SHEET 1 OF 1

**PROPRIETARY AND CONFIDENTIAL**  
 THE INFORMATION CONTAINED IN THIS DRAWING IS THE SOLE PROPERTY OF QUICK MOUNT PV. ANY REPRODUCTION IN PART OR AS A WHOLE WITHOUT THE WRITTEN PERMISSION OF QUICK MOUNT PV IS PROHIBITED. **COPYRIGHT © 2019 QUICK MOUNT PV**

DO NOT SCALE DRAWING



QRAIL TILT: QMQDM-5 LOW EDGE MOUNT WITH 10 DEGREE TILT

VARIABLES	PORTRAIT		LANDSCAPE
	60 CELL	72 CELL	60 & 72 CELL
LOW EDGE MOUNT	QMQDM-5	QMQDM-5	QMQDM-5
RAISED EDGE MOUNT	QMQDM-13	QMQDM-13	QMQDM-10
SPACING (IN.)	46	46	28
MODULE CANTILEVER (IN.)	9.16	15.66	5.78
RAISED EDGE RAIL OFFSET FROM CENTER OF VERTICAL ADJUSTMENT (IN.)	+0.11	+0.11	-0.06
LOW EDGE HEIGHT ABOVE ROOF (IN.)	7.34	6.21	7.93
RAISED EDGE ABOVE ROOF (IN.)	18.63	19.76	14.87

Quick Mount PV®

TITLE:

QRAIL TILT: QMQDM-5 LOW EDGE MOUNT WITH 10 DEGREE TILT

UNLESS OTHERWISE SPECIFIED:

DIMENSIONS ARE IN INCHES  
 TOLERANCES:  
 FRACTIONAL ± 1/8  
 TWO PLACE DECIMAL ±.19  
 THREE PLACE DECIMAL ±.094

SIZE

**A**

DRAWN BY: AAP

DATE: 4/24/2019

REV

1

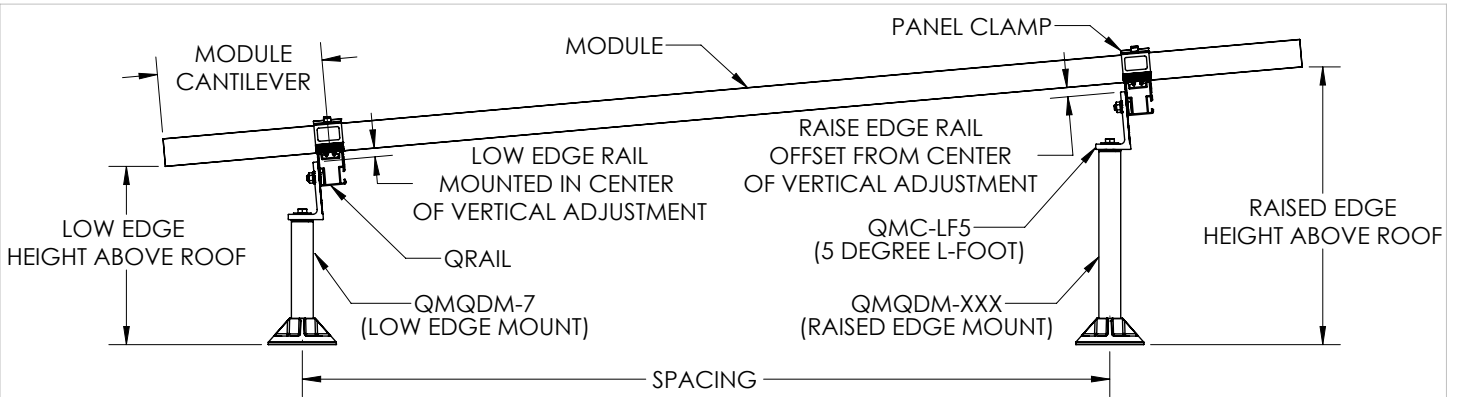
SCALE: 1:8

WEIGHT: 83.36

SHEET 1 OF 1

PROPRIETARY AND CONFIDENTIAL  
 THE INFORMATION CONTAINED IN THIS DRAWING IS THE SOLE PROPERTY OF QUICK MOUNT PV. ANY REPRODUCTION IN PART OR AS A WHOLE WITHOUT THE WRITTEN PERMISSION OF QUICK MOUNT PV IS PROHIBITED. COPYRIGHT © 2016 QUICK MOUNT PV

DO NOT SCALE DRAWING



QRAIL TILT: QMQDM-7 LOW EDGE MOUNT WITH 5 DEGREE TILT			
VARIABLES	PORTRAIT		LANDSCAPE
	60 CELL	72 CELL	60 & 72 CELL
LOW EDGE MOUNT	QMQDM-7	QMQDM-7	QMQDM-7
RAISED EDGE MOUNT	QMQDM-11	QMQDM-11	QMQDM-9.5
SPACING (IN.)	46	46	28
MODULE CANTILEVER (IN.)	9.41	15.91	5.94
RAISED EDGE RAIL OFFSET FROM CENTER OF VERTICAL ADJUSTMENT (IN.)	+0.02	+0.02	-0.05
LOW EDGE HEIGHT ABOVE ROOF (IN.)	10.09	9.52	10.39
RAISED EDGE ABOVE ROOF (IN.)	15.76	16.32	13.88

**Quick Mount PV<sup>®</sup>**

TITLE:

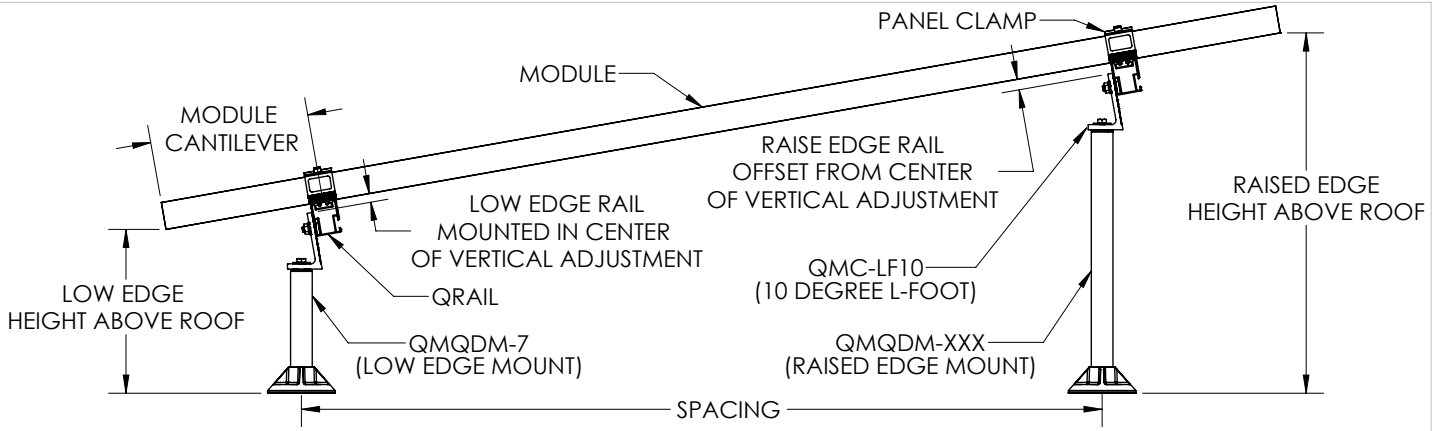
**QRAIL TILT: QMQDM-7 LOW EDGE MOUNT WITH 5 DEGREE TILT**

UNLESS OTHERWISE SPECIFIED:  
 DIMENSIONS ARE IN INCHES  
 TOLERANCES:  
 FRACTIONAL ± 1/8  
 TWO PLACE DECIMAL ±.19  
 THREE PLACE DECIMAL ±.094

SIZE	DRAWN BY: AAP	REV
<b>A</b>	DATE: 4/24/2019	<b>1</b>
SCALE: 1:8	WEIGHT: 83.36	SHEET 1 OF 1

**PROPRIETARY AND CONFIDENTIAL**  
 THE INFORMATION CONTAINED IN THIS DRAWING IS THE SOLE PROPERTY OF QUICK MOUNT PV. ANY REPRODUCTION IN PART OR AS A WHOLE WITHOUT THE WRITTEN PERMISSION OF QUICK MOUNT PV IS PROHIBITED. **COPYRIGHT © 2019 QUICK MOUNT PV**

DO NOT SCALE DRAWING



QRAIL TILT: QMQDM-7 LOW EDGE MOUNT WITH 10 DEGREE TILT			
VARIABLES	PORTRAIT		LANDSCAPE
	60 CELL	72 CELL	60 & 72 CELL
LOW EDGE MOUNT	QMQDM-7	QMQDM-7	QMQDM-7
RAISED EDGE MOUNT	QMQDM-15	QMQDM-15	QMQDM-12
SPACING (IN.)	46	46	28
MODULE CANTILEVER (IN.)	9.16	15.66	5.78
RAISED EDGE RAIL OFFSET FROM CENTER OF VERTICAL ADJUSTMENT (IN.)	+0.11	+0.11	-0.06
LOW EDGE HEIGHT ABOVE ROOF (IN.)	9.34	8.21	9.93
RAISED EDGE ABOVE ROOF (IN.)	20.63	21.76	16.87

**Quick Mount PV<sup>®</sup>**

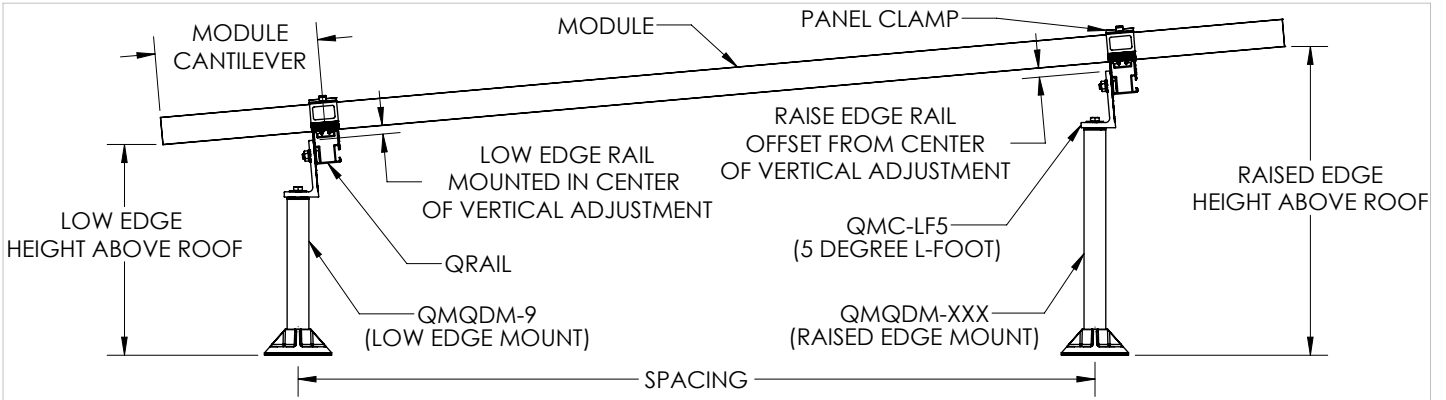
TITLE:  
QRAIL TILT: QMQDM-7 LOW EDGE MOUNT WITH 10 DEGREE TILT

UNLESS OTHERWISE SPECIFIED: DIMENSIONS ARE IN INCHES TOLERANCES: FRACTIONAL ± 1/8 TWO PLACE DECIMAL ±.19 THREE PLACE DECIMAL ±.094	SIZE	DRAWN BY: AAP	REV
	<b>A</b>	DATE: 4/24/2019	<b>1</b>
	SCALE: 1:8	WEIGHT: 83.55	SHEET 1 OF 1

**PROPRIETARY AND CONFIDENTIAL**  
THE INFORMATION CONTAINED IN THIS DRAWING IS THE SOLE PROPERTY OF QUICK MOUNT PV. ANY REPRODUCTION IN PART OR AS A WHOLE WITHOUT THE WRITTEN PERMISSION OF QUICK MOUNT PV IS PROHIBITED. **COPYRIGHT © 2016 QUICK MOUNT PV**

DO NOT SCALE DRAWING





QRAIL TILT: QMQDM-9 LOW EDGE MOUNT WITH 5 DEGREE TILT			
VARIABLES	PORTRAIT		LANDSCAPE
	60 CELL	72 CELL	60 & 72 CELL
LOW EDGE MOUNT	QMQDM-9	QMQDM-9	QMQDM-9
RAISED EDGE MOUNT	QMQDM-13	QMQDM-13	QMQDM-11.5
SPACING (IN.)	46	46	28
MODULE CANTILEVER (IN.)	9.41	15.91	5.94
RAISED EDGE RAIL OFFSET FROM CENTER OF VERTICAL ADJUSTMENT (IN.)	+0.02	+0.02	-0.05
LOW EDGE HEIGHT ABOVE ROOF (IN.)	12.09	11.52	12.39
RAISED EDGE ABOVE ROOF (IN.)	17.76	18.32	15.88

**Quick Mount PV<sup>®</sup>**

TITLE:

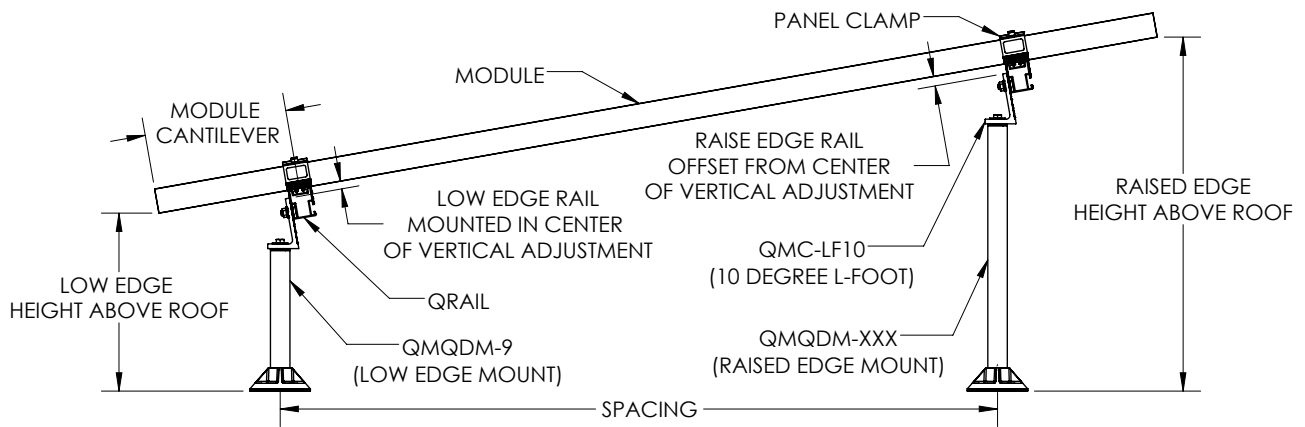
**QRAIL TILT: QMQDM-9 LOW EDGE MOUNT WITH 5 DEGREE TILT**

UNLESS OTHERWISE SPECIFIED:  
 DIMENSIONS ARE IN INCHES  
 TOLERANCES:  
 FRACTIONAL ± 1/8  
 TWO PLACE DECIMAL ±.19  
 THREE PLACE DECIMAL ±.094

SIZE <b>A</b>	DRAWN BY: AAP	REV 1
	DATE: 4/24/2019	
SCALE: 1:8	WEIGHT: 83.56	SHEET 1 OF 1

PROPRIETARY AND CONFIDENTIAL  
 THE INFORMATION CONTAINED IN THIS DRAWING IS THE SOLE PROPERTY OF QUICK MOUNT PV. ANY REPRODUCTION IN PART OR AS A WHOLE WITHOUT THE WRITTEN PERMISSION OF QUICK MOUNT PV IS PROHIBITED. **COPYRIGHT © 2019 QUICK MOUNT PV**

DO NOT SCALE DRAWING



QRAIL TILT: QMQDM-9 LOW EDGE MOUNT WITH 10 DEGREE TILT

VARIABLES	PORTRAIT		LANDSCAPE
	60 CELL	72 CELL	60 & 72 CELL
LOW EDGE MOUNT	QMQDM-9	QMQDM-9	QMQDM-9
RAISED EDGE MOUNT	QMQDM-17	QMQDM-17	QMQDM-14
SPACING (IN.)	46	46	28
MODULE CANTILEVER (IN.)	9.16	15.66	5.78
RAISED EDGE RAIL OFFSET FROM CENTER OF VERTICAL ADJUSTMENT (IN.)	+0.11	+0.11	-0.06
LOW EDGE HEIGHT ABOVE ROOF (IN.)	11.34	10.21	11.93
RAISED EDGE ABOVE ROOF (IN.)	22.63	23.76	18.87

Quick Mount PV®

TITLE:

QRAIL TILT: QMQDM-9 LOW EDGE MOUNT WITH 10 DEGREE TILT

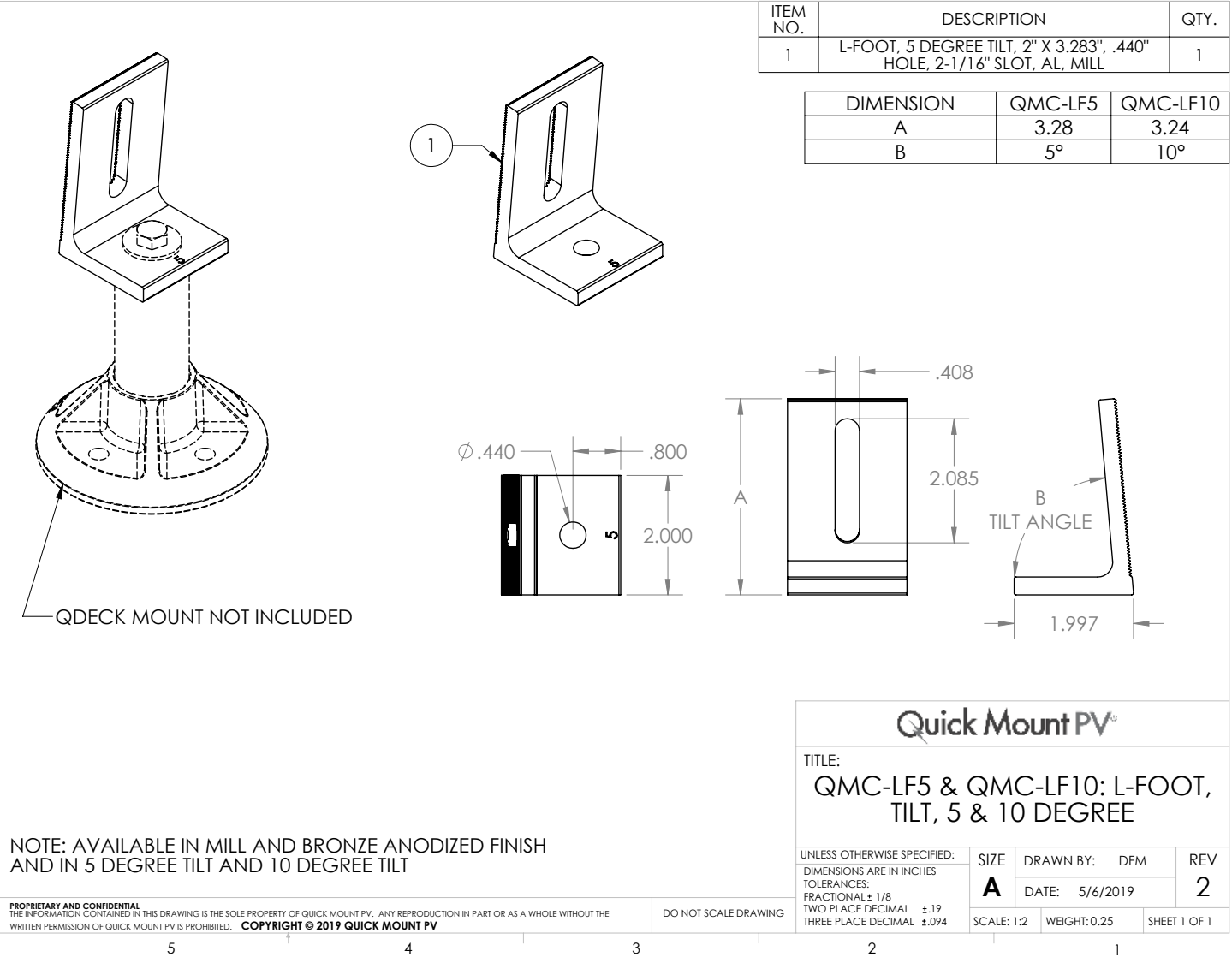
UNLESS OTHERWISE SPECIFIED:  
 DIMENSIONS ARE IN INCHES  
 TOLERANCES:  
 FRACTIONAL: 1/8  
 TWO PLACE DECIMAL ±.19  
 THREE PLACE DECIMAL ±.094

SIZE <b>A</b>	DRAWN BY: AAP	REV <b>1</b>
	DATE: 4/24/2019	
SCALE: 1:9	WEIGHT: 83.75	SHEET 1 OF 1

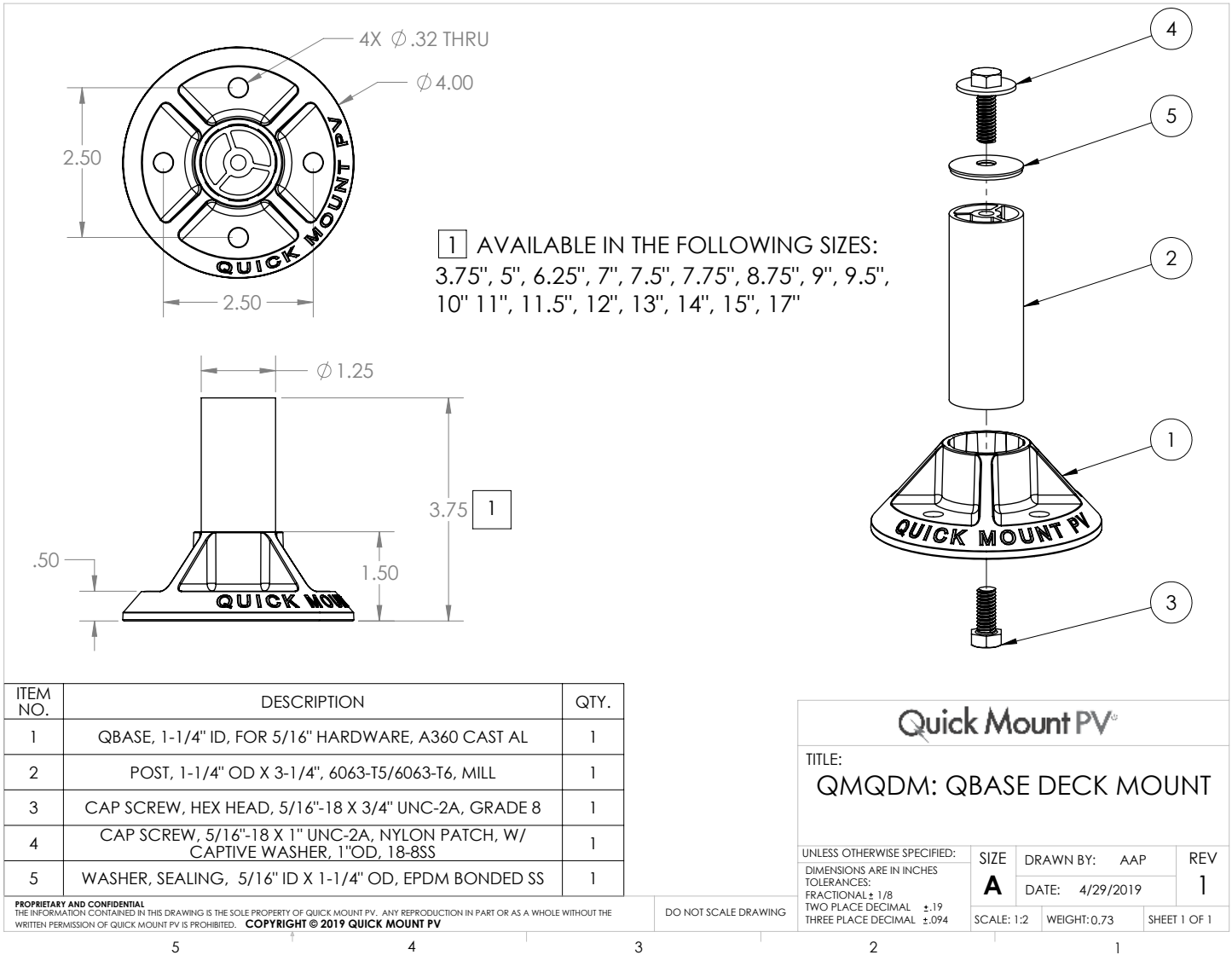
PROPRIETARY AND CONFIDENTIAL  
 THE INFORMATION CONTAINED IN THIS DRAWING IS THE SOLE PROPERTY OF QUICK MOUNT PV. ANY REPRODUCTION IN PART OR AS A WHOLE WITHOUT THE WRITTEN PERMISSION OF QUICK MOUNT PV IS PROHIBITED. COPYRIGHT © 2016 QUICK MOUNT PV

DO NOT SCALE DRAWING

# L-Foot Tilt Line Drawing



# QBase Deck Mount Line Drawing



925-478-8269 | www.quickmountpv.com | tech@quickmountpv.com  
2700 Mitchell Dr. | Walnut Creek, CA 94598