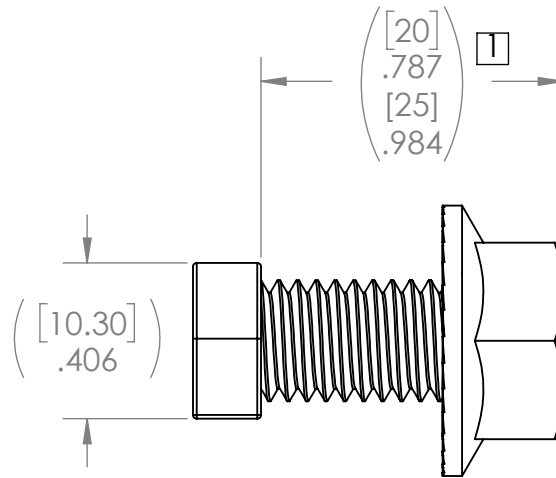
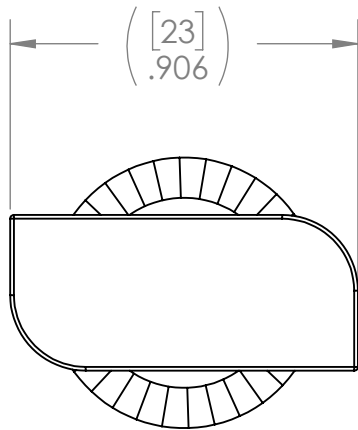


ITEM NO.	DESCRIPTION	QTY.
1	T-BOLT, M8 X 1.25 X 20MM, A2-70 SS, NYLON PATCH	1
2	NUT, SERRATED FLANGE, M8 X 1.25, DIN 6923, A2-70 SS	1

NOTES:

- [1] AVAILABLE IN 20MM and 25MM LENGTHS
- [2] 20MM LENGTH AVAILABLE WITH PLAIN OR NYLON PATCH THREADS

QMR-TB20	20MM PLAIN THREADS
QMR-TB20P	20MM NYLON PATCH THREADS
QMR-TB25	25MM PLAIN THREADS



Quick Mount PV[®]

TITLE:
QMR-TB: T-BOLT W/NUT, QRAIL

UNLESS OTHERWISE SPECIFIED: DIMENSIONS ARE IN INCHES TOLERANCES: FRACTIONAL ± 1/8 TWO PLACE DECIMAL ±.19 THREE PLACE DECIMAL ±.094	SIZE	DRAWN BY: RAD	REV
	A	DATE: 10/8/2019	5
SCALE: 2:1	WEIGHT: 0.05	SHEET 1 OF 1	