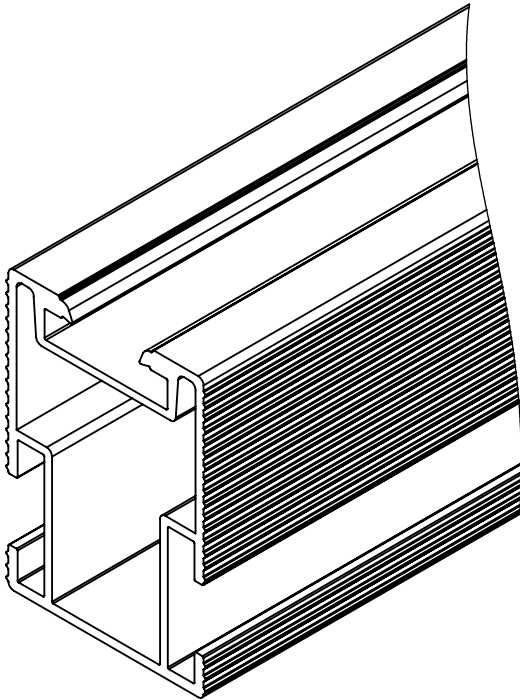
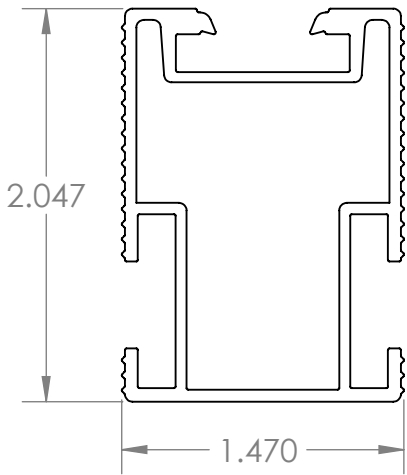


ITEM NO.	DESCRIPTION	QTY.
1	QRAIL, HEAVY, AL, MILL	1



- NOTES:  
 1. AVAILABLE IN 14' AND 17' - 4" LENGTHS  
 2. AVAILABLE IN MILL FINISH AND BLACK FINISH

**Quick Mount PV<sup>®</sup>**

TITLE:  
**QMR-RH: QRAIL HEAVY**

UNLESS OTHERWISE SPECIFIED: DIMENSIONS ARE IN INCHES TOLERANCES: FRACTIONAL $\pm 1/8$ TWO PLACE DECIMAL $\pm .19$ THREE PLACE DECIMAL $\pm .094$	SIZE <b>A</b>	DRAWN BY: DFM	REV <b>2</b>
	SCALE: 1:1	DATE: 4/26/2018	WEIGHT: 0.69
		SHEET 1 OF 1	

**PROPRIETARY AND CONFIDENTIAL**  
 THE INFORMATION CONTAINED IN THIS DRAWING IS THE SOLE PROPERTY OF QUICK MOUNT PV. ANY REPRODUCTION IN PART OR AS A WHOLE WITHOUT THE WRITTEN PERMISSION OF QUICK MOUNT PV IS PROHIBITED. **COPYRIGHT © 2016 QUICK MOUNT PV**

DO NOT SCALE DRAWING