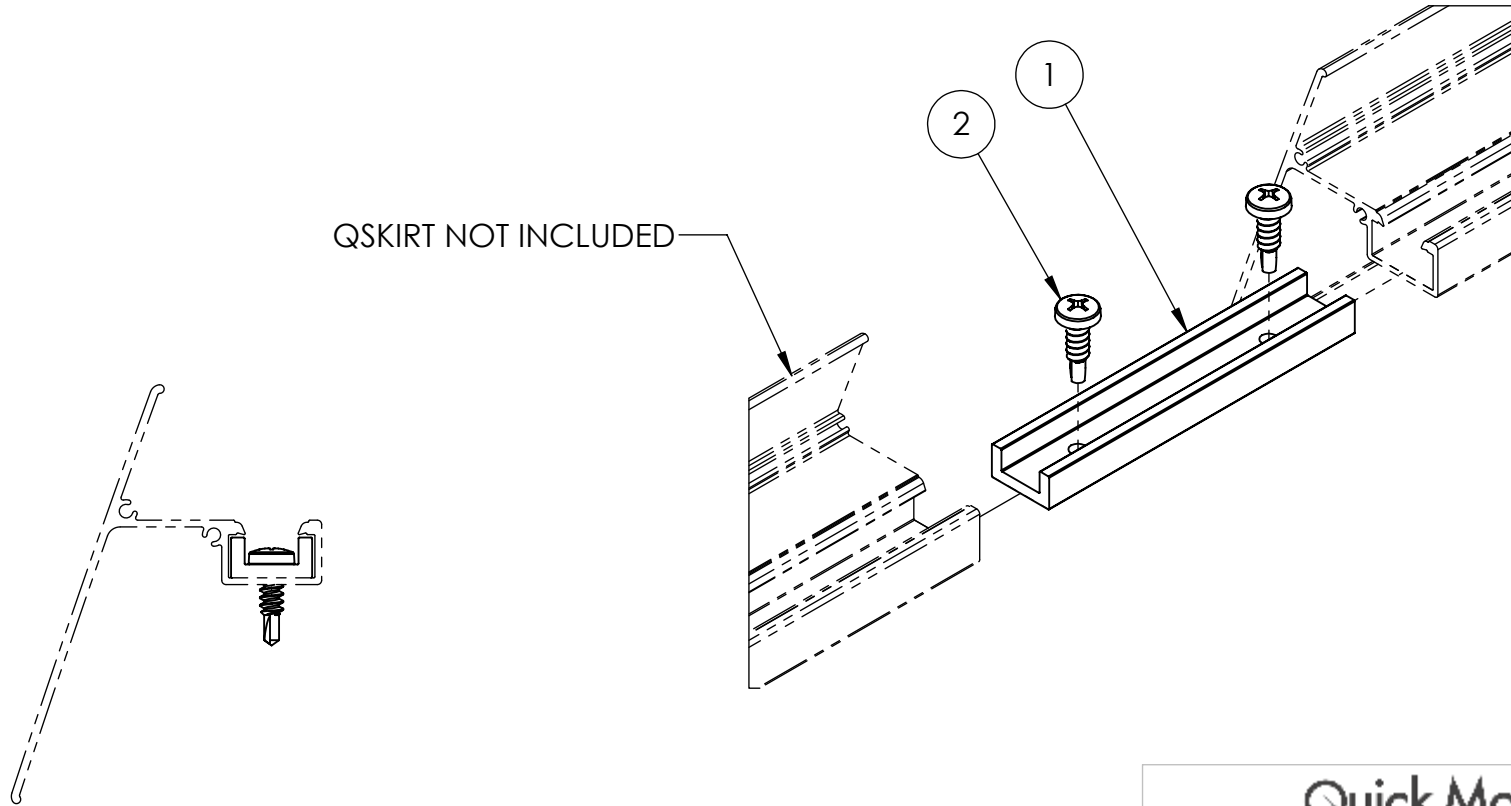


ITEM NO.	DESCRIPTION	QTY.
1	QSPLICE, QSKIRT, 4", AL, MILL	1
2	SCREW, SELF-DRILLING, BSD, PHILLIPS HEAD, 12-14 X 3/4", 18-8SS	2



Quick Mount PV[®]

TITLE:
QMR-QSS: SPLICE, QSKIRT

UNLESS OTHERWISE SPECIFIED: DIMENSIONS ARE IN INCHES TOLERANCES: FRACTIONAL ± 1/8 TWO PLACE DECIMAL ±.19 THREE PLACE DECIMAL ±.094	SIZE	DRAWN BY: AAP	REV
	A	DATE: 4/8/2019	2
SCALE: 9:16	WEIGHT: 0.08	SHEET 1 OF 1	