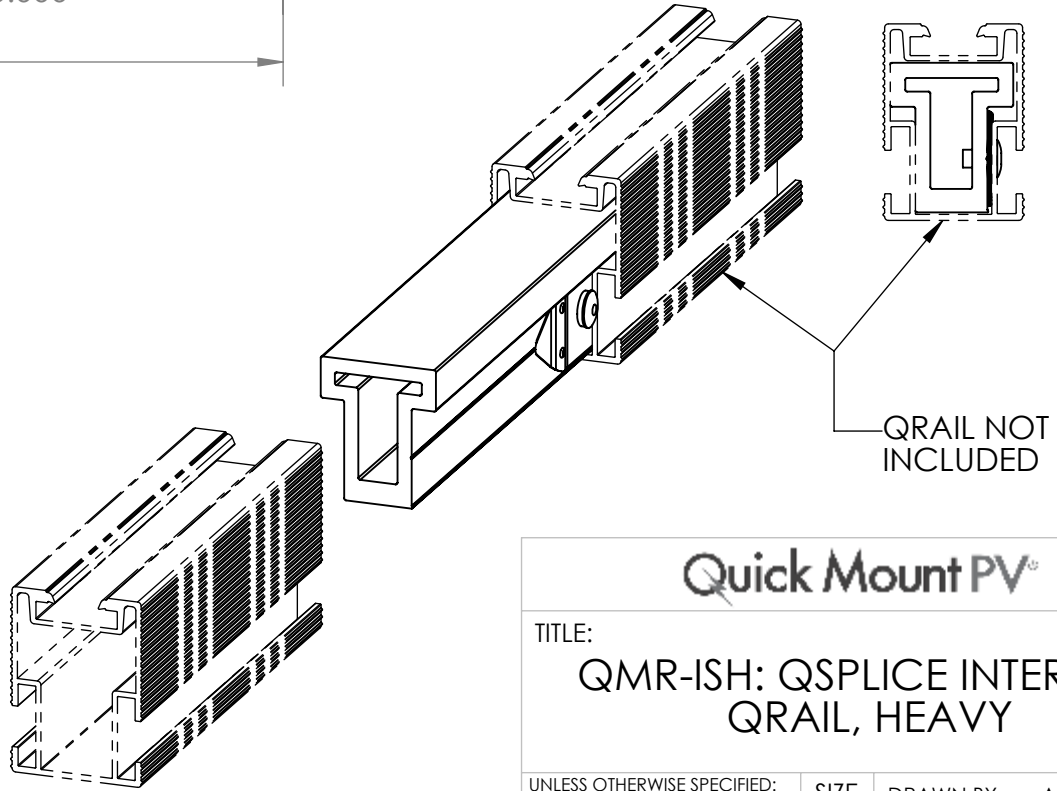
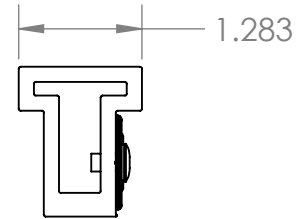
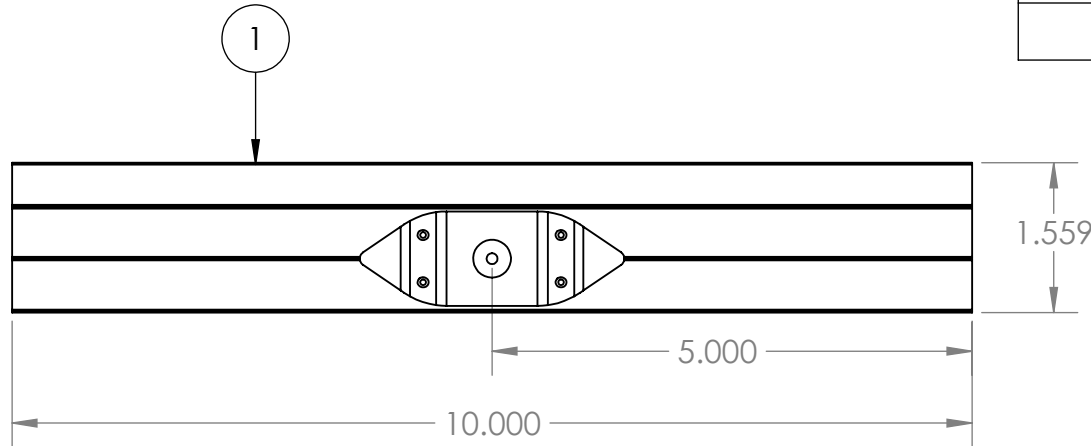


ITEM NO.	DESCRIPTION	QTY.
1	QSPLICE INTERNAL, QRAIL, HEAVY, AL, MILL	1
	BONDING PLATE, QSPLICE INTERNAL, QRAIL, SS, MILL	1
	WASHER, RIVET, 3/16" ID X 3/8" OD, ALUMINUM, MILL	1
	RIVET, DOMED HEAD, BLIND, 3/16 X .450, AL, MILL	1



Quick Mount PV[®]

TITLE:
**QMR-ISH: QSPLICE INTERNAL,
QRAIL, HEAVY**

UNLESS OTHERWISE SPECIFIED: DIMENSIONS ARE IN INCHES TOLERANCES: FRACTIONAL ± 1/8 TWO PLACE DECIMAL ±.19 THREE PLACE DECIMAL ±.094	SIZE	DRAWN BY: AAP	REV
	A	DATE: 4/8/2019	3
	SCALE: 1:2	WEIGHT: 0.82	SHEET 1 OF 1

PROPRIETARY AND CONFIDENTIAL
THE INFORMATION CONTAINED IN THIS DRAWING IS THE SOLE PROPERTY OF QUICK MOUNT PV. ANY REPRODUCTION IN PART OR AS A WHOLE WITHOUT THE WRITTEN PERMISSION OF QUICK MOUNT PV IS PROHIBITED. **COPYRIGHT © 2019 QUICK MOUNT PV**

DO NOT SCALE DRAWING