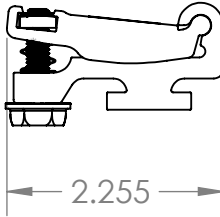
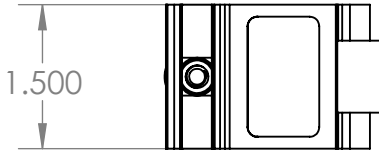
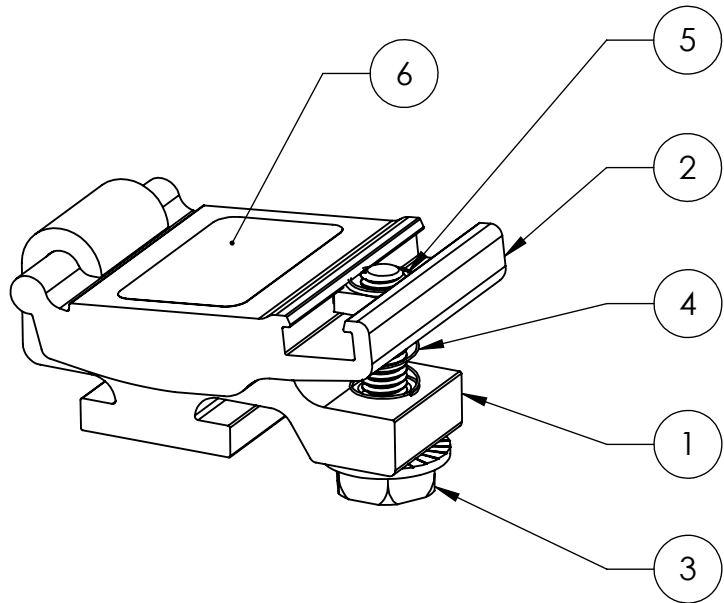


ITEM NO.	DESCRIPTION	QTY.
1	HIDDEN END CLAMP, QRAIL, LOWER, 0.75", AL, MILL	1
2	HIDDEN END CLAMP, QRAIL, UPPER, 1.5", AL, MILL	1
3	CAP SCREW, SERRATED FLANGE, HEX HEAD, M6 X 1.0MM X 25MM, 1/2" HEAD, A2-70 SS	1
4	SPRING, QRAIL, HIDDEN END CLAMP, SS, MILL	1
5	NUT, SQUARE, THIN, M6 X 1.0, DIN 562, 18-8 SS	1
6	STICKER, ETL, QRAIL, END CLAMP	1



FOR USE WITH QRAIL STANDARD (QMR-RS), AND LIGHT (QMR-RL)

**Quick Mount PV<sup>®</sup>**

TITLE:  
**QMR-HEC: HIDDEN END CLAMP,  
QRAIL**

UNLESS OTHERWISE SPECIFIED: DIMENSIONS ARE IN INCHES TOLERANCES: FRACTIONAL ± 1/8 TWO PLACE DECIMAL ±.19 THREE PLACE DECIMAL ±.094	SIZE	DRAWN BY: DFM	REV
	<b>A</b>	DATE: 9/13/2019	<b>3</b>
SCALE: 1:2	WEIGHT: 0.17	SHEET 1 OF 1	

**PROPRIETARY AND CONFIDENTIAL**  
THE INFORMATION CONTAINED IN THIS DRAWING IS THE SOLE PROPERTY OF QUICK MOUNT PV. ANY REPRODUCTION IN PART OR AS A WHOLE WITHOUT THE WRITTEN PERMISSION OF QUICK MOUNT PV IS PROHIBITED. **COPYRIGHT © 2019 QUICK MOUNT PV**

DO NOT SCALE DRAWING