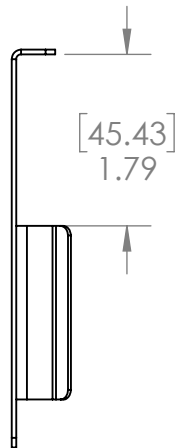
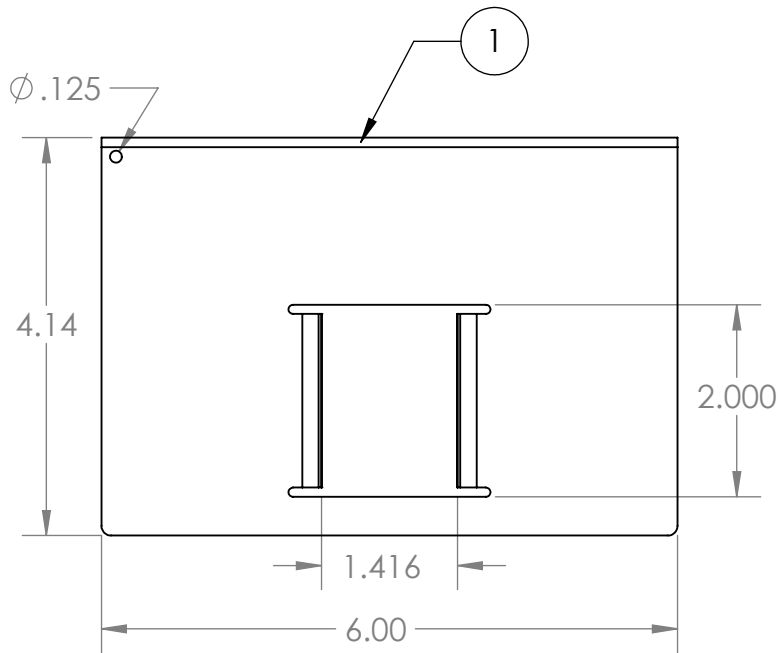
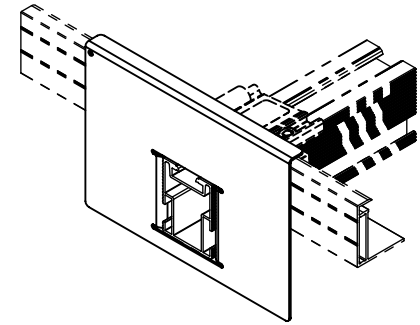
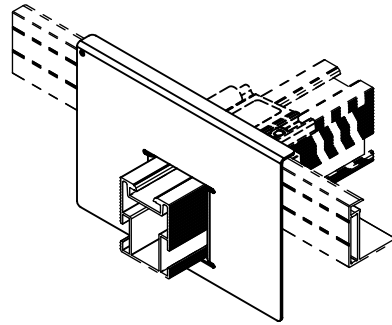
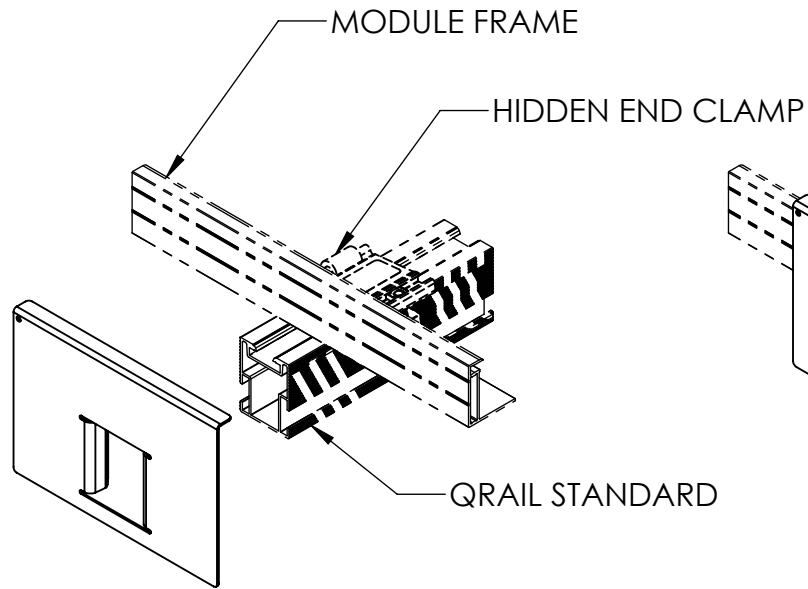


ITEM NO.	DESCRIPTION	QTY.
1	CUTTING GUIDE, QRAIL, STANDARD, SPRING STEEL, NICKEL PLATED	1



NOTE: QRAIL AND HIDDEN END CLAMP NOT INCLUDED

**Quick Mount PV**<sup>®</sup>

TITLE:

**QMR-GCS: CUTTING GUIDE,  
QRAIL, STANDARD**

UNLESS OTHERWISE SPECIFIED:

DIMENSIONS ARE IN INCHES

TOLERANCES:

FRACTIONAL ± 1/8

TWO PLACE DECIMAL ±.19

THREE PLACE DECIMAL ±.094

SIZE

**A**

DRAWN BY: AAP

DATE: 11/12/2019

REV

1

SCALE: 1:2

WEIGHT: 0.35

SHEET 1 OF 1