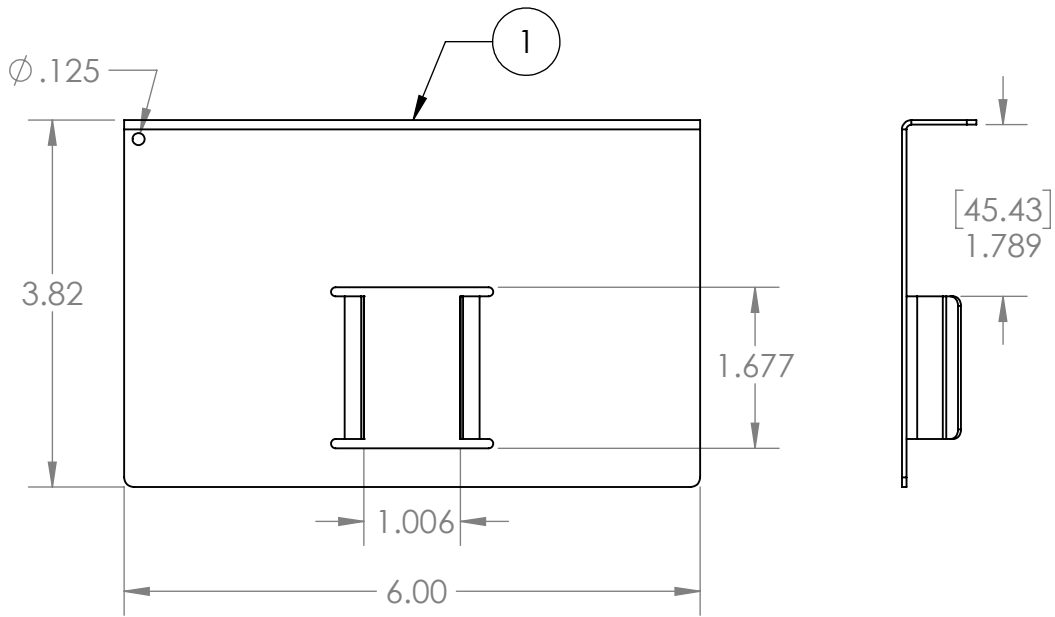
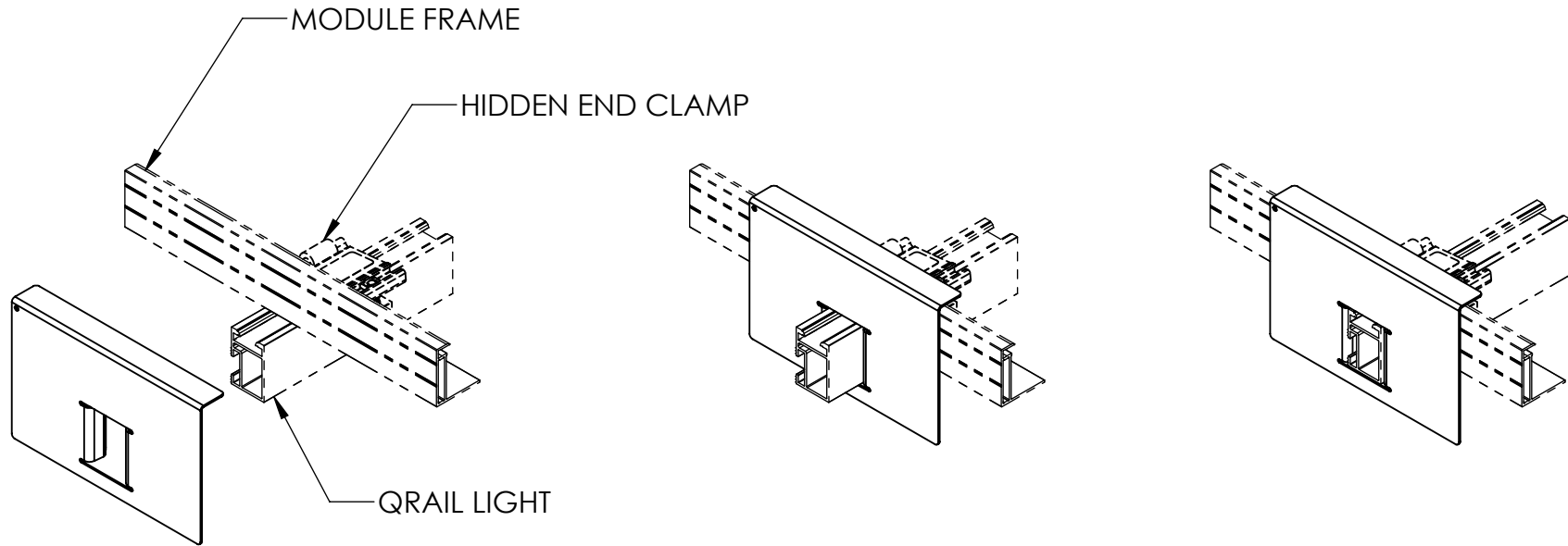


ITEM NO.	DESCRIPTION	QTY.
1	CUTTING GUIDE, QRAIL, LIGHT, SPRING STEEL, NICKEL PLATED	1



NOTE: QRAIL AND HIDDEN END CLAMP NOT INCLUDED



TITLE:
**QMR-GCL: CUTTING GUIDE,
QRAIL, LIGHT**

UNLESS OTHERWISE SPECIFIED:

DIMENSIONS ARE IN INCHES

TOLERANCES:

FRACTIONAL $\pm 1/8$

TWO PLACE DECIMAL $\pm .19$

THREE PLACE DECIMAL $\pm .094$

SIZE

A

DRAWN BY:

AAP

DATE:

11/12/2019

REV

1

SCALE: 1:4

WEIGHT: 0.3628

SHEET 1 OF 1

PROPRIETARY AND CONFIDENTIAL
THE INFORMATION CONTAINED IN THIS DRAWING IS THE SOLE PROPERTY OF QUICK MOUNT PV. ANY REPRODUCTION IN PART OR AS A WHOLE WITHOUT THE WRITTEN PERMISSION OF QUICK MOUNT PV IS PROHIBITED. COPYRIGHT © 2019 QUICK MOUNT PV

DO NOT SCALE DRAWING

5

4

3

2

1