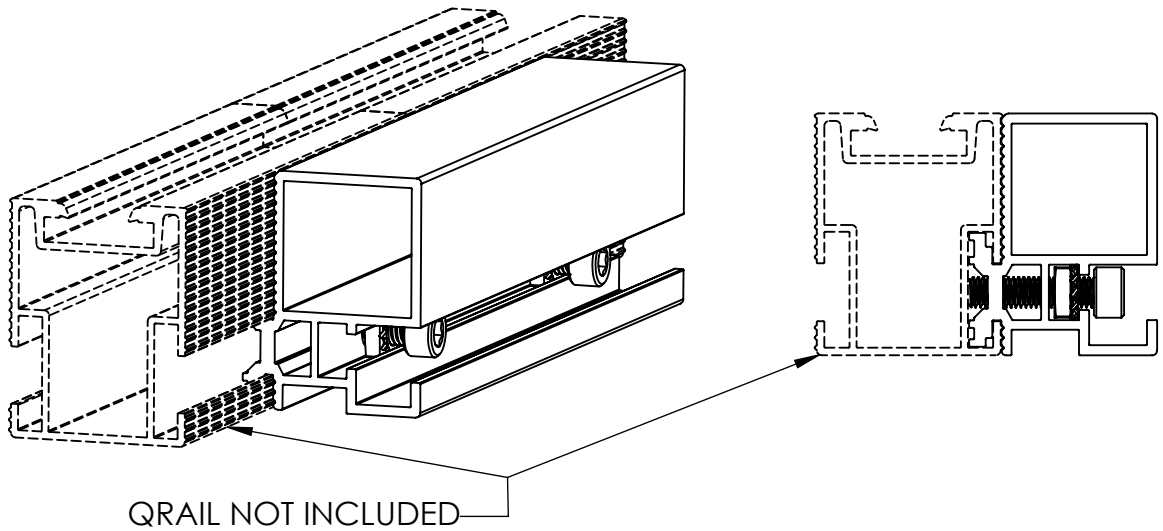
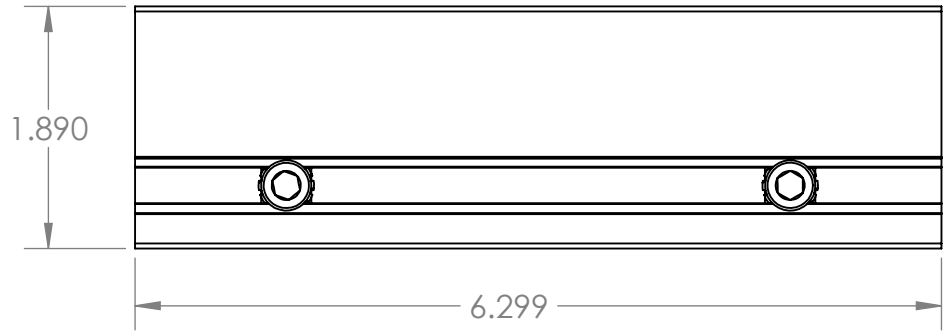
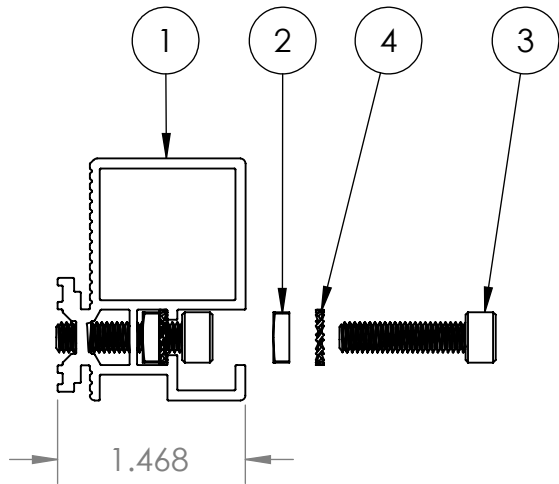


ITEM NO.	DESCRIPTION	QTY.
1	QSPLICE EXTERNAL, QRAIL, STANDARD, 6.3", AL, MILL	1
2	NUT, SQUARE, THIN, M6 X 1.0, DIN 562, 18-8 SS	2
3	CAP SCREW, SOCKET HEAD, M6 X 1.0 X 25MM, DIN 912, A2-70 SS	2
4	WASHER, STAR, M6, 18-8 SS	2



Quick Mount PV

TITLE:
**QMR-ESS: QSPLICE EXTERNAL,
 QRAIL, STANDARD**

UNLESS OTHERWISE SPECIFIED: DIMENSIONS ARE IN INCHES TOLERANCES: FRACTIONAL $\pm 1/8$ TWO PLACE DECIMAL $\pm .19$ THREE PLACE DECIMAL $\pm .094$	SIZE A	DRAWN BY: RAD	REV 1
	SCALE: 2:3	DATE: 12/22/2017	WEIGHT: 1.01
		SHEET 1 OF 1	