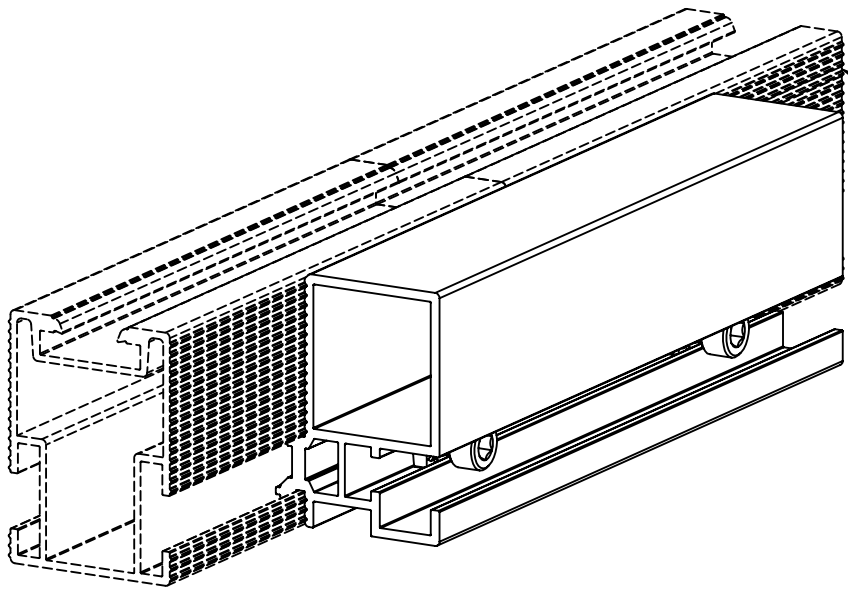
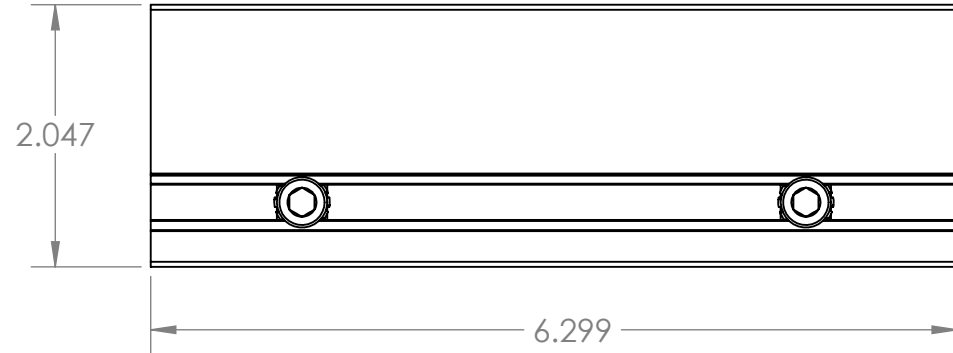
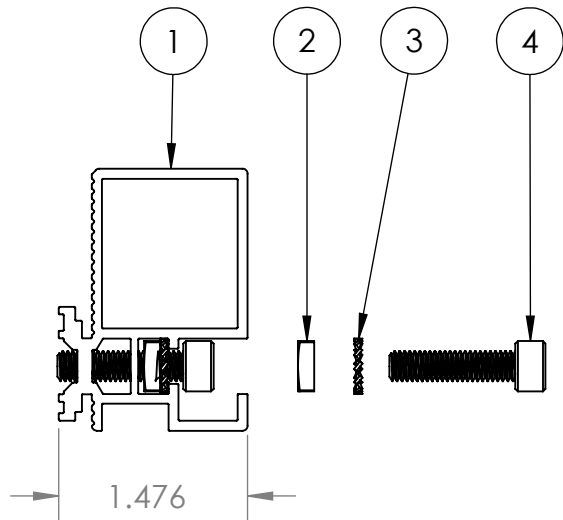


ITEM NO.	DESCRIPTION	QTY.
1	QSPLICE EXTERNAL, QRAIL, HEAVY, 6.3", AL, MILL	1
2	NUT, SQUARE, THIN, M6 X 1.0, DIN 562, 18-8 SS	2
3	WASHER, STAR, M6, 18-8 SS	2
4	CAP SCREW, SOCKET HEAD, M6 X 1.0 X 25MM, DIN 912, A2-70 SS	2



QRAIL NOT INCLUDED

Quick Mount PV

TITLE:
**QMR-ESH: QSPLICE EXTERNAL,
 QRAIL, HEAVY**

UNLESS OTHERWISE SPECIFIED:
 DIMENSIONS ARE IN INCHES
 TOLERANCES:
 FRACTIONAL $\pm 1/8$
 TWO PLACE DECIMAL $\pm .19$
 THREE PLACE DECIMAL $\pm .094$

SIZE A	DRAWN BY: RAD	REV 1
	DATE: 12/22/2017	
SCALE: 2:3	WEIGHT: 1.07	SHEET 1 OF 1