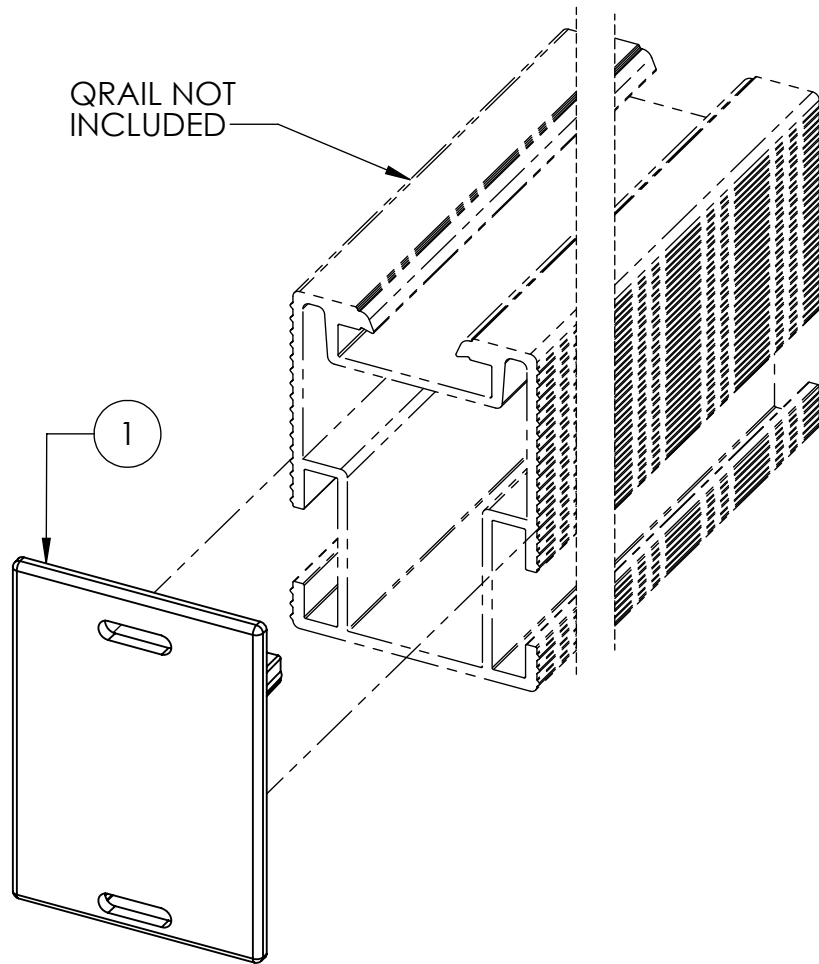
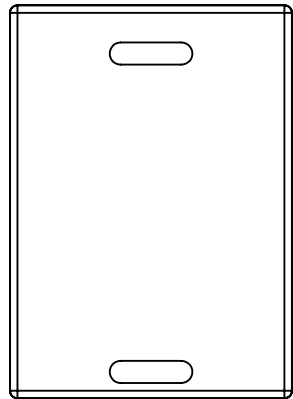
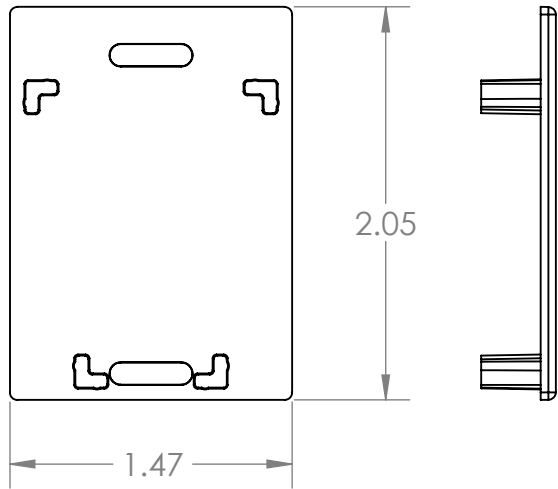


ITEM NO.	DESCRIPTION	QTY.
1	END CAP, QRAIL, HEAVY, BLACK	1



**Quick Mount PV<sup>®</sup>**

TITLE:  
**QMR-CPH: END CAP, QRAIL,  
HEAVY**

UNLESS OTHERWISE SPECIFIED:  
DIMENSIONS ARE IN INCHES  
TOLERANCES:  
FRACTIONAL  $\pm 1/8$   
TWO PLACE DECIMAL  $\pm .19$   
THREE PLACE DECIMAL  $\pm .094$

<b>SIZE</b> <b>A</b>	DRAWN BY: AAP	REV <b>2</b>
	DATE: 4/5/2019	
SCALE: 1:1	WEIGHT: 0.0093	SHEET 1 OF 1