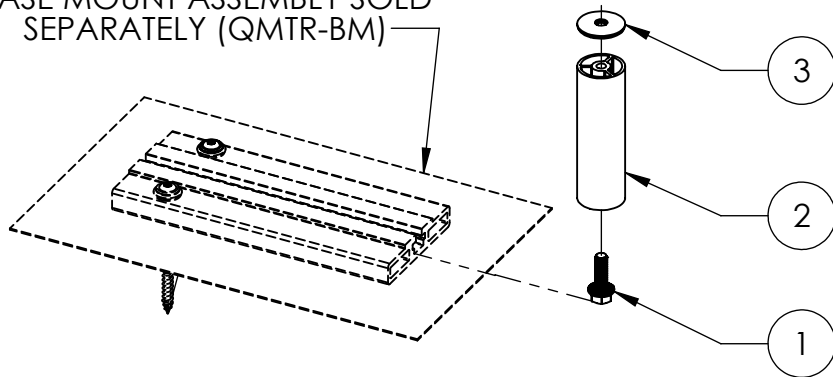


BASE MOUNT ASSEMBLY SOLD SEPARATELY (QMTR-BM)



ITEM NO.	DESCRIPTION	QTY.
1	CAP SCREW, SERRATED FLANGE, HEX HEAD, 5/16"-18 X 1" UNC-2A, GRADE 8, ZINC	1
2	POST, 1.25" OD X 4", 6063-T5/6063-T6, MILL	1
3	WASHER, SEALING, 5/16" ID X 1-1/4" OD, EPDM BONDED SS	1
4	FLASHING, REPLACEMENT TILE, W-TILE, .625" CONE, ALUMINUM, MILL	1
5	COLLAR, COUNTER FLASHING, 1-1/4" ID EPDM	1
6	WASHER, FENDER, 5/16" ID X 1" OD, 18-8 SS	1
7	WASHER, SPLIT-LOCK, 5/16" ID, 18-8 SS	1
8	CAP SCREW, HEX HEAD, 5/16"-18 X 1" UNC-2A, 18-8 SS	1

AVAILABLE IN MILL, AND BLACK FINISHES

Quick Mount PV[®]

TITLE:
**QMTR-W4: TILE REPLACEMENT,
W-TILE, 4" POST**

UNLESS OTHERWISE SPECIFIED:

DIMENSIONS ARE IN INCHES
TOLERANCES:
FRACTIONAL $\pm 1/8$
TWO PLACE DECIMAL $\pm .19$
THREE PLACE DECIMAL $\pm .094$

SIZE A	DRAWN BY: RAD	REV 3
	DATE: 6/9/2017	
SCALE: 1:5	WEIGHT: 2.93	SHEET 1 OF 1