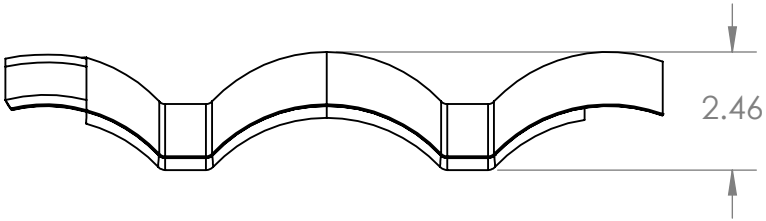
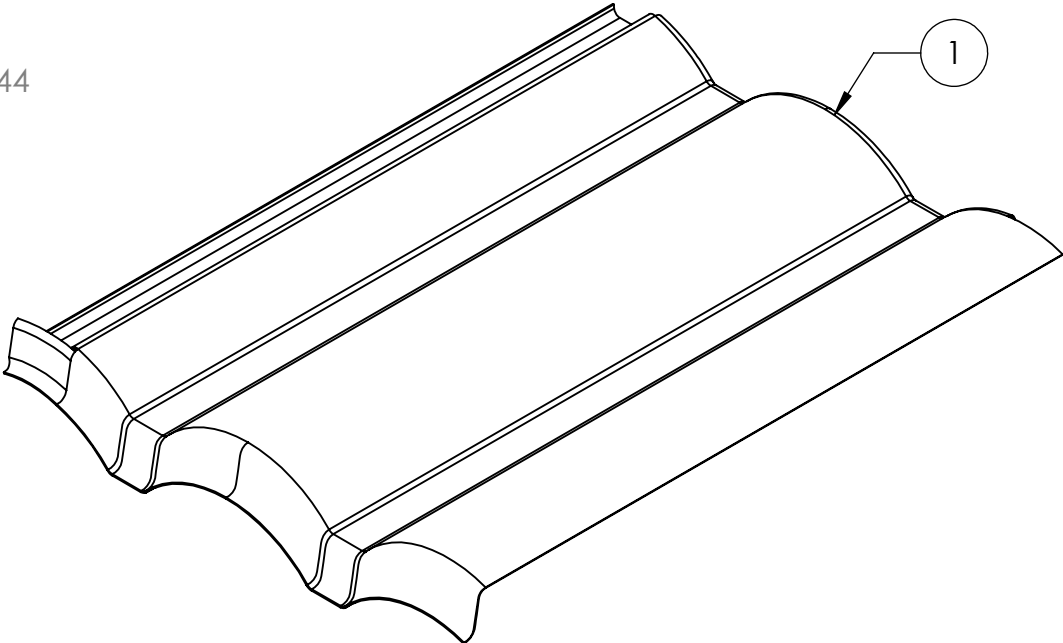
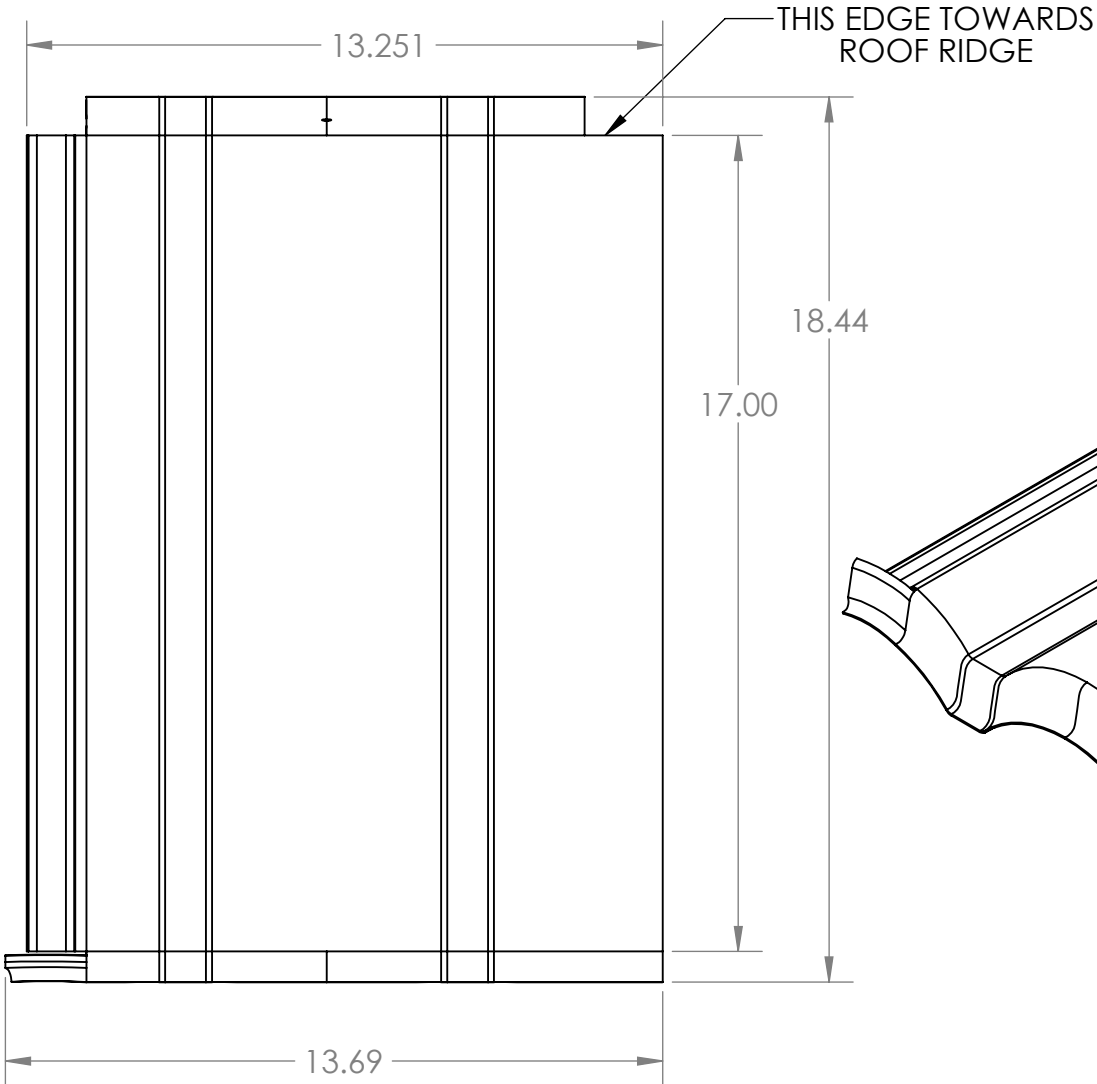


| ITEM NO. | DESCRIPTION | QTY. |
|----------|--|------|
| 1 | FLASHING, REPLACEMENT TILE, W-TILE, ALUMINUM, MILL | 1 |

AVAILABLE IN MILL, AND BLACK FINISHES



MATERIAL THICKNESS .032

Quick Mount PV[®]

TITLE: **QMC-TRF-W: FLASHING, TILE REPLACEMENT, W-TILE, COMPONENT**

| | | | | |
|-----------------------------|--------------|--------------|----------------|-----|
| UNLESS OTHERWISE SPECIFIED: | | SIZE | DRAWN BY: | REV |
| DIMENSIONS ARE IN INCHES | | A | DATE: 6/9/2017 | 1 |
| TOLERANCES: | | | | |
| FRACTIONAL ± 1/8 | | | | |
| TWO PLACE DECIMAL ±.19 | | | | |
| THREE PLACE DECIMAL ±.094 | | | | |
| SCALE: 1:4 | WEIGHT: 0.92 | SHEET 1 OF 1 | | |

PROPRIETARY AND CONFIDENTIAL
 THE INFORMATION CONTAINED IN THIS DRAWING IS THE SOLE PROPERTY OF QUICK MOUNT PV. ANY REPRODUCTION IN PART OR AS A WHOLE WITHOUT THE WRITTEN PERMISSION OF QUICK MOUNT PV IS PROHIBITED. COPYRIGHT © 2016 QUICK MOUNT PV

DO NOT SCALE DRAWING