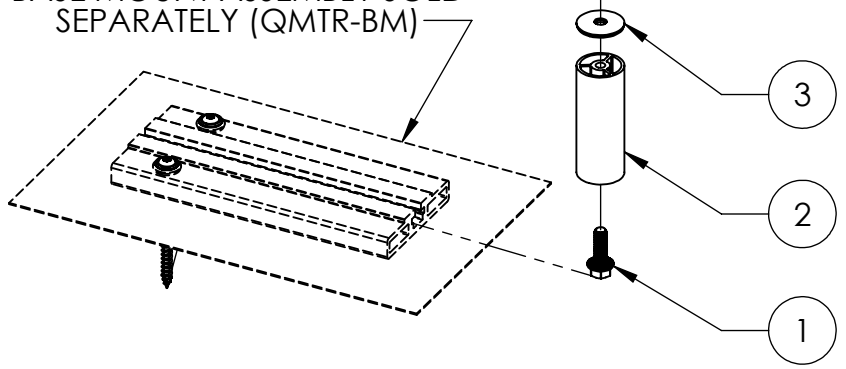


BASE MOUNT ASSEMBLY SOLD SEPARATELY (QMTR-BM)



ITEM NO.	DESCRIPTION	QTY.
1	CAP SCREW, SERRATED FLANGE, HEX HEAD, 5/16"-18 X 1" UNC-2A, GRADE 8, ZINC	1
2	POST, 1-1/4" OD X 3-1/4", 6063-T5/6063-T6, MILL	1
3	WASHER, SEALING, 5/16" ID X 1-1/4" OD, EPDM BONDED SS	1
4	FLASHING, REPLACEMENT TILE, S-TILE, .625" CONE, ALUMINUM, MILL	1
5	COLLAR, COUNTER FLASHING, 1-1/4" ID EPDM	1
6	WASHER, FENDER, 5/16" ID X 1" OD, 18-8 SS	1
7	WASHER, SPLIT-LOCK, 5/16" ID, 18-8 SS	1
8	CAP SCREW, HEX HEAD, 5/16"-18 X 1" UNC-2A, 18-8 SS	1

AVAILABLE IN MILL, AND BLACK FINISHES



TITLE:  
**QMTR-S3.25: TILE REPLACEMENT,  
 S-TILE, 3-1/4" POST**

UNLESS OTHERWISE SPECIFIED: DIMENSIONS ARE IN INCHES TOLERANCES: FRACTIONAL ± 1/8 TWO PLACE DECIMAL ±.19 THREE PLACE DECIMAL ±.094	SIZE <b>A</b>	DRAWN BY: RAD	REV <b>3</b>
	SCALE: 1:5	DATE: 6/9/2017	WEIGHT: 2.84
		SHEET 1 OF 1	