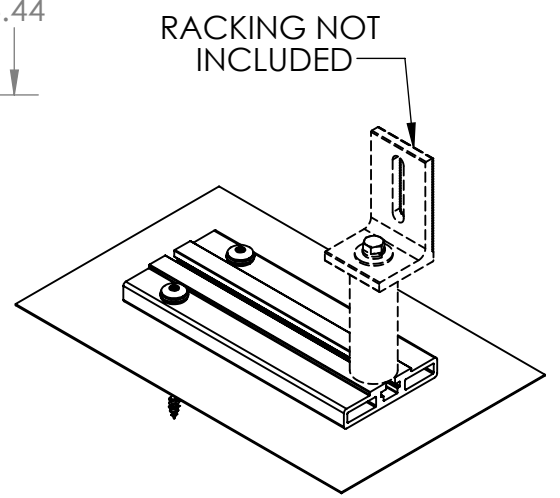
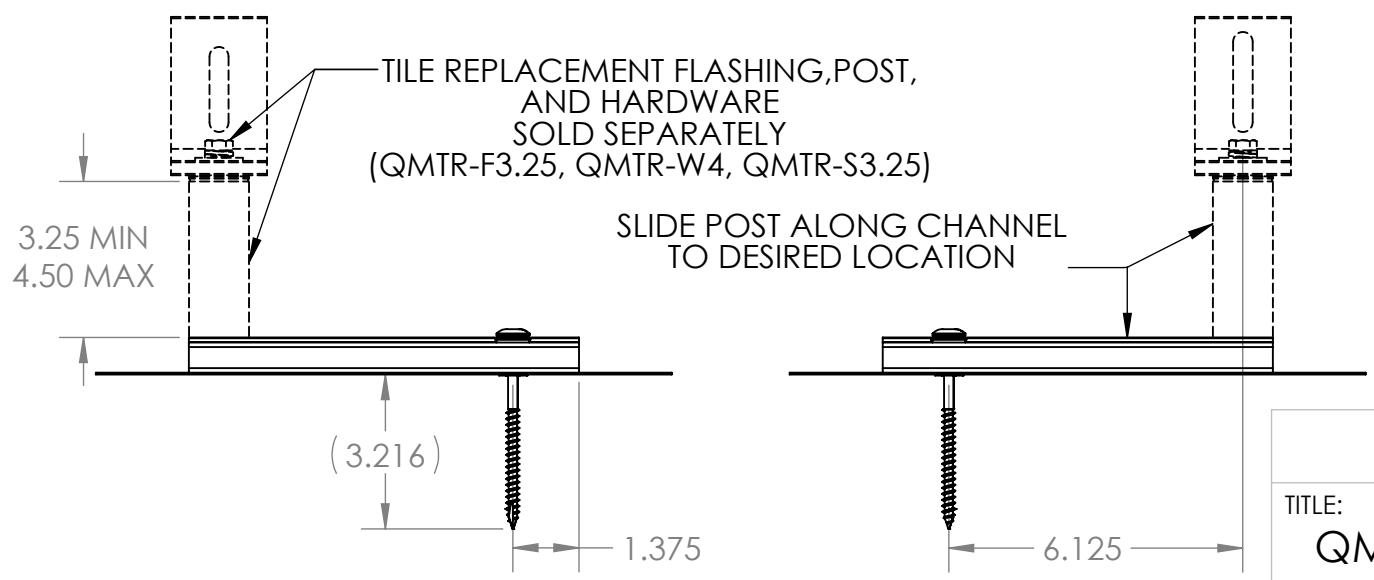


WEST ORIENTATION

EAST ORIENTATION



SCALE 1:5



Quick Mount PV<sup>®</sup>

TITLE:  
**QMTR-BM: TILE REPLACEMENT,  
 BASE MOUNT**

UNLESS OTHERWISE SPECIFIED: DIMENSIONS ARE IN INCHES TOLERANCES: FRACTIONAL ± 1/8 TWO PLACE DECIMAL ±.19 THREE PLACE DECIMAL ±.094	SIZE <b>A</b>	DRAWN BY: RAD	REV <b>7</b>
	SCALE: 1:4	DATE: 11/12/2018	WEIGHT: 1.52
		SHEET 2 OF 2	

PROPRIETARY AND CONFIDENTIAL  
 THE INFORMATION CONTAINED IN THIS DRAWING IS THE SOLE PROPERTY OF QUICK MOUNT PV. ANY REPRODUCTION IN PART OR AS A WHOLE WITHOUT THE WRITTEN PERMISSION OF QUICK MOUNT PV IS PROHIBITED. COPYRIGHT © 2016 QUICK MOUNT PV

DO NOT SCALE DRAWING