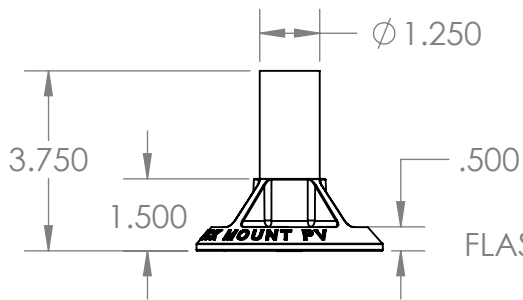
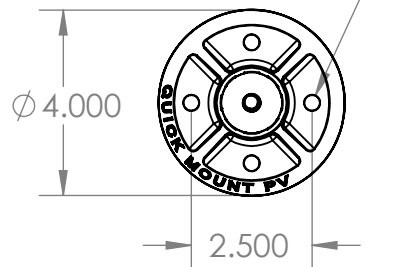
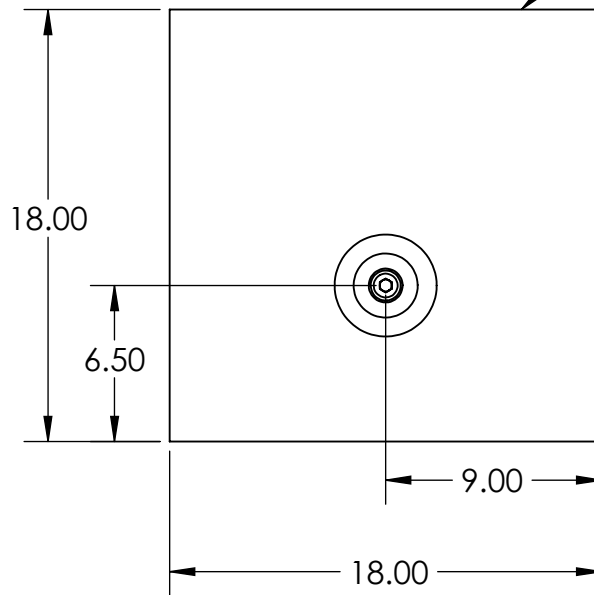


THIS EDGE TOWARDS ROOF RIDGE

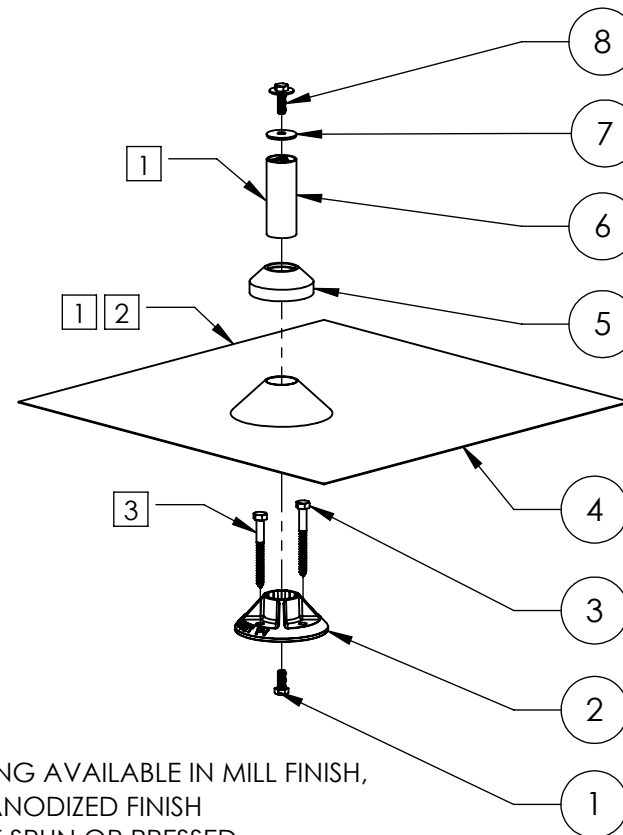
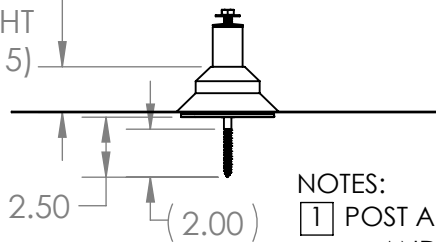
4X  $\phi$ .32 THRU  
(CLEARANCE FOR  
5/16" HARDWARE)



QBASE (ITEM 2) AND  
POST (ITEM 6)



1.90  
FLASHING HEIGHT  
(ITEMS 4 & 5)



NOTES:

- 1 POST AND FLASHING AVAILABLE IN MILL FINISH, AND BRONZE ANODIZED FINISH
- 2 FLASHING MAY BE SPUN OR PRESSED
- 3 STAINLESS STEEL LAG SCREWS INCLUDED WITH ANODIZED FINISH

ITEM NO.	DESCRIPTION	QTY.
1	CAP SCREW, HEX HEAD, 5/16"-18 X 3/4" UNC-2A, GRADE 8, MAGNI	1
2	QBASE, 1-1/4" ID, FOR 5/16" HARDWARE, A360 CAST AL	1
3	LAG SCREW, HEX HEAD, 5/16" X 3", ZINC	2
4	FLASHING, CONE, 18"X18"X.032", 3003 AL, MILL	1
5	COLLAR, COUNTER FLASHING, 1-1/4" ID EPDM	1
6	POST, 1-1/4" OD X 3-1/4", 6063-T5/6063-T6, MILL	1
7	WASHER, SEALING, 5/16" ID X 1-1/4" OD, EPDM BONDED SS	1
8	CAP SCREW, 5/16"-18 X 1" UNC-2A, NYLON PATCH, W/ CAPTIVE WASHER, 1"OD, 18-8 SS	1

PROPRIETARY AND CONFIDENTIAL  
THE INFORMATION CONTAINED IN THIS DRAWING IS THE SOLE PROPERTY OF QUICK MOUNT PV. ANY REPRODUCTION IN PART OR AS A WHOLE WITHOUT THE WRITTEN PERMISSION OF QUICK MOUNT PV IS PROHIBITED. COPYRIGHT © 2019 QUICK MOUNT PV

DO NOT SCALE DRAWING

Quick Mount PV<sup>®</sup>

TITLE:

QMNS: QBASE METAL, SHAKE AND SLATE MOUNT

UNLESS OTHERWISE SPECIFIED: DIMENSIONS ARE IN INCHES TOLERANCES: FRACTIONAL $\pm 1/8$ TWO PLACE DECIMAL $\pm .19$ THREE PLACE DECIMAL $\pm .094$	SIZE <b>A</b>	DRAWN BY: RAD	REV <b>14</b>
	SCALE: 1:8	DATE: 8/9/2019	WEIGHT: 1.94 SHEET 1 OF 1