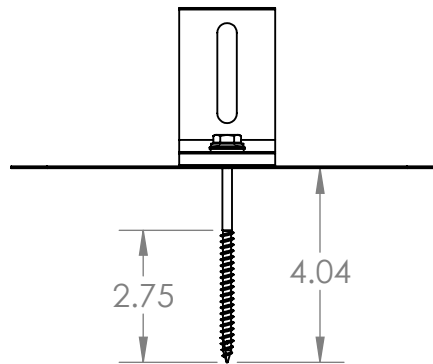
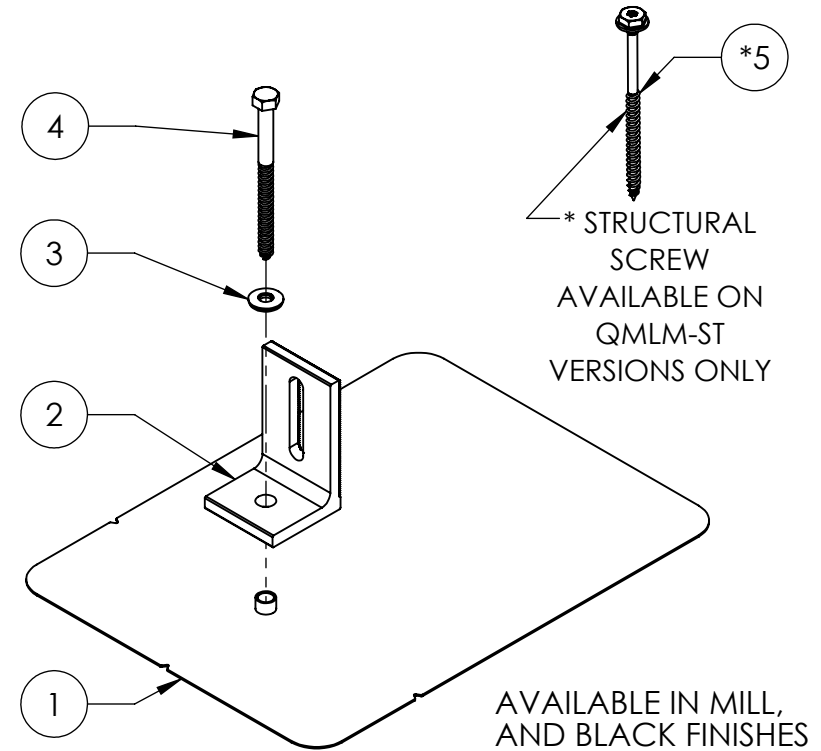


**QMLM**



**QMLM-ST**

ITEM NO.	DESCRIPTION	QTY.
1	FLASHING, ROUNDED CORNERS, 9" X 12" X .040", .438" HOLE, 5052, MILL	1
2	L-FOOT, 2" X 3.30" FOR .438" O.D. FASTENER, 2-1/16" SLOT, 6061-T6/6005A-T61, MILL	1
3	WASHER, SEALING, 5/16" ID X 3/4" OD, EPDM BONDED SS	1
4	LAG SCREW, HEX HEAD, 5/16" x 4", 18-8 SS	1
*5	STRUCTURAL SCREW, QMPV, T-30 HEX WASHER HEAD, 5/16" X 4-1/2", 18-8SS	1



**Quick Mount PV<sup>®</sup>**

TITLE:  
**QMLM & QMLM-ST: L-MOUNT,  
2-1/16" SLOT**

UNLESS OTHERWISE SPECIFIED: DIMENSIONS ARE IN INCHES TOLERANCES: FRACTIONAL $\pm 1/8$ TWO PLACE DECIMAL $\pm .19$ THREE PLACE DECIMAL $\pm .094$	SIZE <b>A</b>	DRAWN BY: RAD	REV <b>10</b>
	SCALE: 1:4	DATE: 11/21/2018	WEIGHT: 1.0708
		SHEET 1 OF 1	