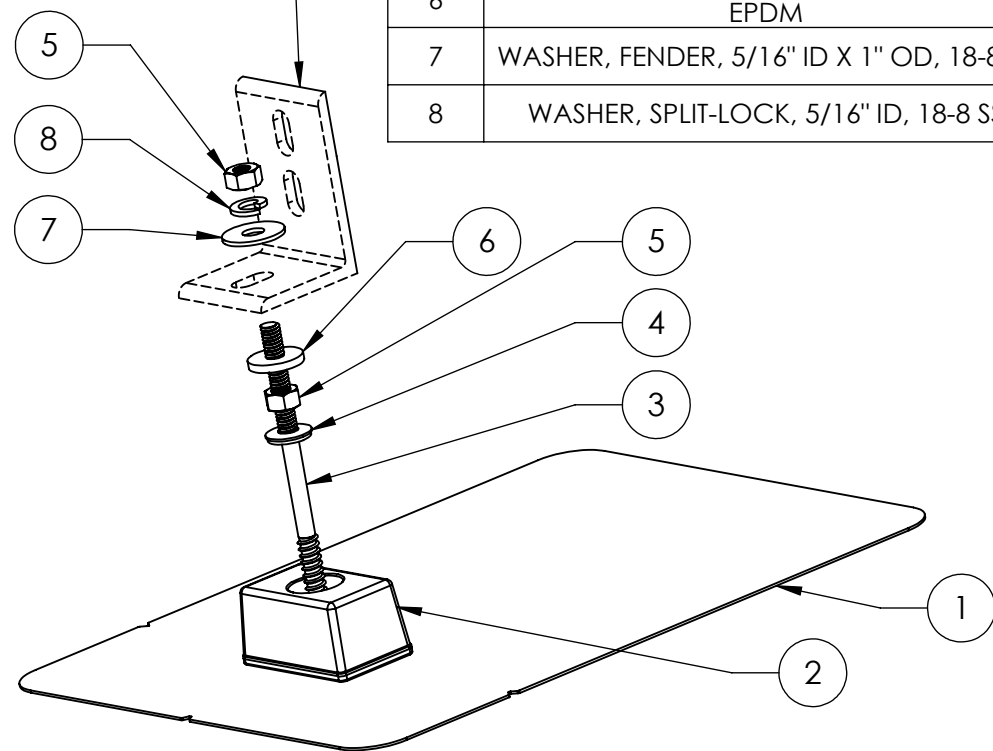


RACKING COMPONENTS NOT INCLUDED



ITEM NO.	DESCRIPTION	QTY.
1	FLASHING, ROUNDED CORNERS, 9" X 12" X .040", .500" HOLE, 5052, MILL	1
2	QBLOCK, CLASSIC, A360 CAST AL, MILL	1
3	HANGER BOLT, 5/16" x 6-1/2", 1-3/4"MT, 3"LT, 18-8 SS	1
4	WASHER, SEALING, 5/16" ID X 3/4" OD, EPDM BONDED SS	1
5	NUT, HEX, 5/16-18, UNC-2B, 18-8 SS	2
6	WASHER, FLAT, 19/64" ID x 7/8" OD x 1/8" EPDM	1
7	WASHER, FENDER, 5/16" ID X 1" OD, 18-8 SS	1
8	WASHER, SPLIT-LOCK, 5/16" ID, 18-8 SS	1

AVAILABLE IN MILL, AND BLACK FINISHES



TITLE:
QMSE-EHB: QMPV E-MOUNT WITH EXTENDED HANGER BOLT

UNLESS OTHERWISE SPECIFIED: DIMENSIONS ARE IN INCHES TOLERANCES: FRACTIONAL ± 1/8 TWO PLACE DECIMAL ±.19 THREE PLACE DECIMAL ±.094	SIZE A	DRAWN BY: RAD	REV 4
	SCALE: 1:3	DATE: 7/17/2018	WEIGHT: 0.92
		SHEET 1 OF 1	