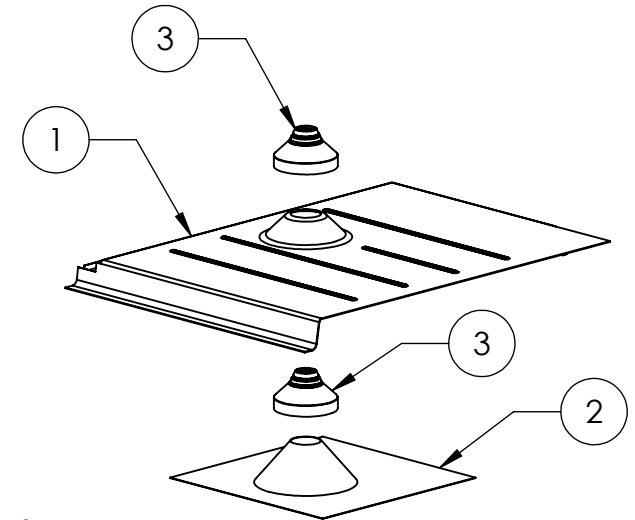


ITEM NO.	DESCRIPTION	QTY.
1	FLASHING, REPLACEMENT TILE, FLAT, 1" CONE, ALUMINUM, MILL	1
2	SUB-FLASHING, CONE, 9"X9"X.020"/.032", 3003 AL, MILL	1
3	COUNTER FLASHING, CONDUIT, 1/2", 3/4", 1", EPDM RUBBER	2

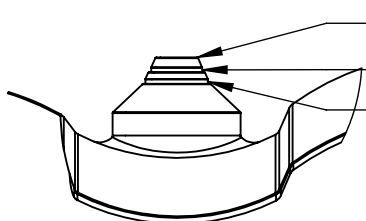
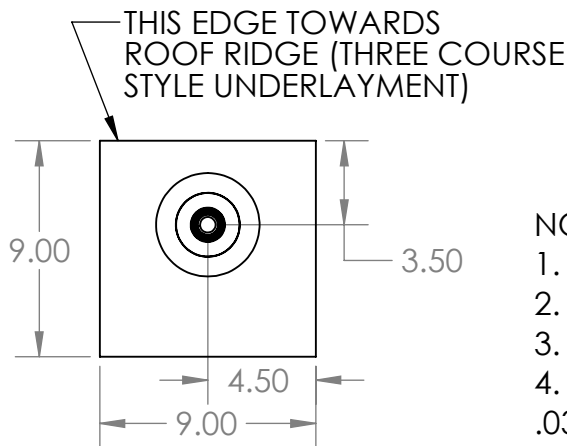
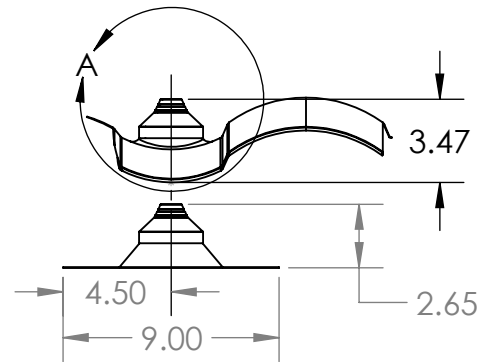
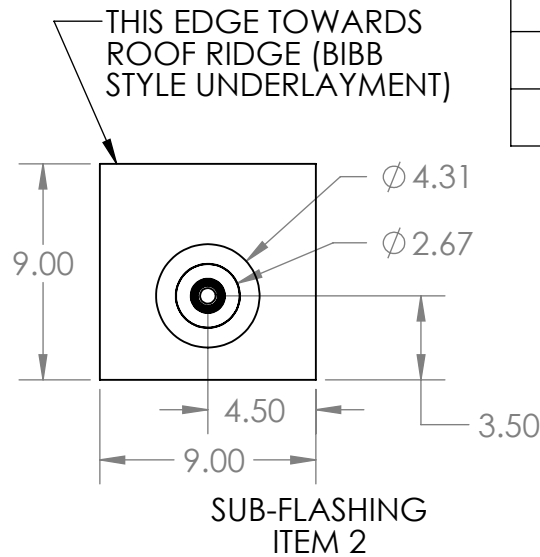
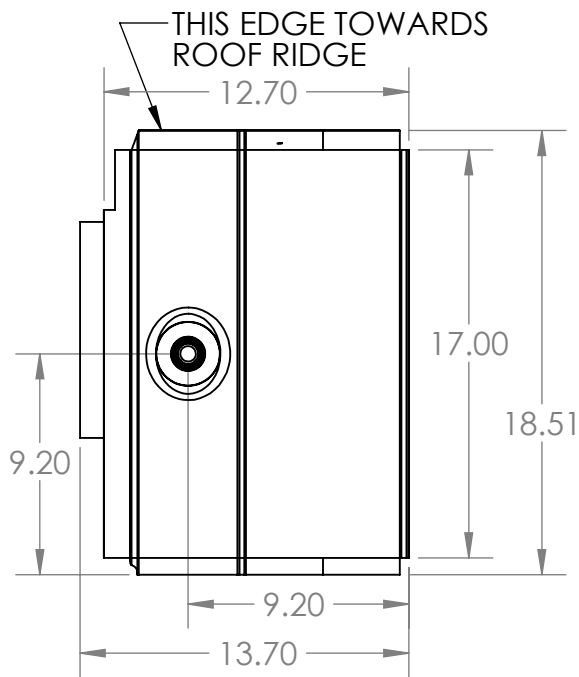


- NOTES:
1. AVAILABLE IN MILL FINISH, AND BLACK FINISH
 2. FLASHINGS MAY BE SPUN, OR PRESSED
 3. ITEM 1 MATERIAL THICKNESS: .032"
 4. ITEM 2 MATERIAL THICKNESS: .020" SPUN, .032" PRESSED

Quick Mount PV[®]

TITLE: **QMCPT-F: CONDUIT PENETRATION FLASHING, TILE REPLACEMENT, FLAT TILE**

UNLESS OTHERWISE SPECIFIED: DIMENSIONS ARE IN INCHES TOLERANCES: FRACTIONAL ± 1/8 TWO PLACE DECIMAL ±.19 THREE PLACE DECIMAL ±.094	SIZE	DRAWN BY: RAD	REV
	A	DATE: 3/6/2018	1
SCALE: 1:8	WEIGHT: 1.23	SHEET 1 OF 1	

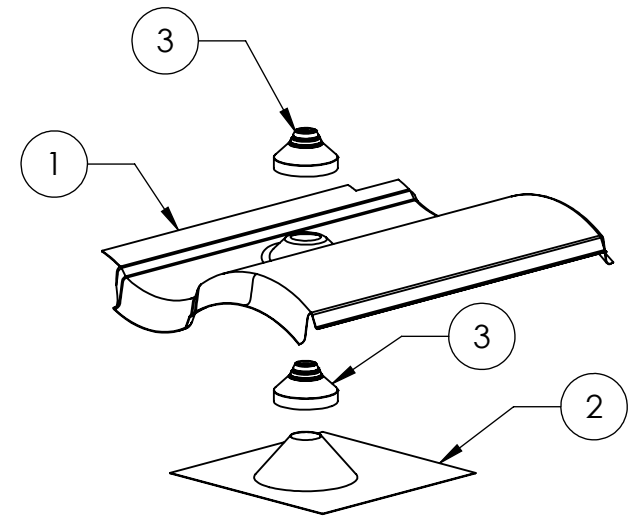


TOP ID FOR 1/2" CONDUIT
 CUT HERE FOR 3/4" CONDUIT
 CUT HERE FOR 1" CONDUIT
 APPLY EPDM COMPATIBLE SEALANT
 WHERE COUNTER FLASHING CONTACTS FLASHING

NOTES APPLY TO UPPER AND
 LOWER COUNTER FLASHINGS

DETAIL A
 SCALE 1 : 4

ITEM NO.	DESCRIPTION	QTY.
1	FLASHING, REPLACEMENT TILE, S-TILE, .625" CONE, ALUMINUM, MILL	1
2	SUB-FLASHING, CONE, 9"X9"X.020"/.032", 3003 AL, MILL	1
3	COUNTER FLASHING, CONDUIT, 1/2", 3/4", 1", EPDM RUBBER	2



NOTES:

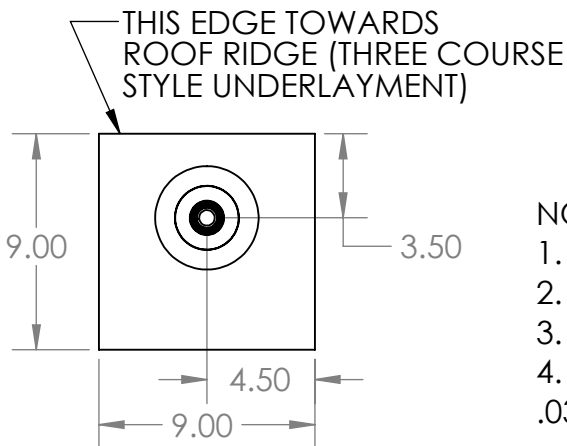
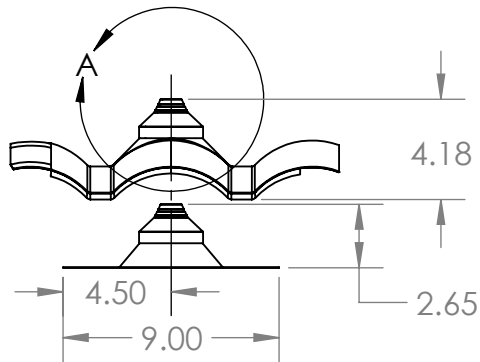
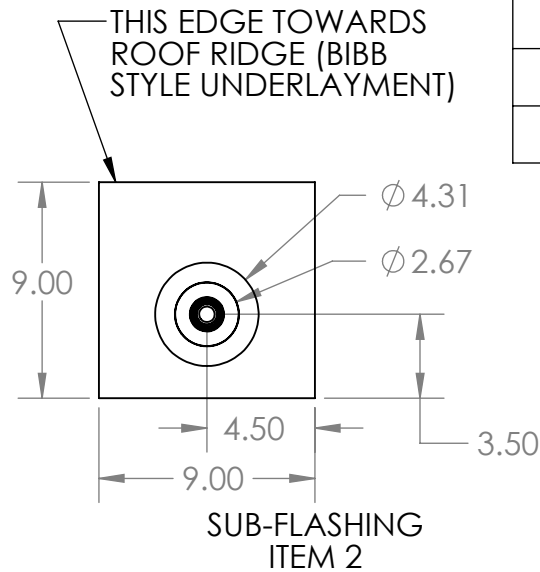
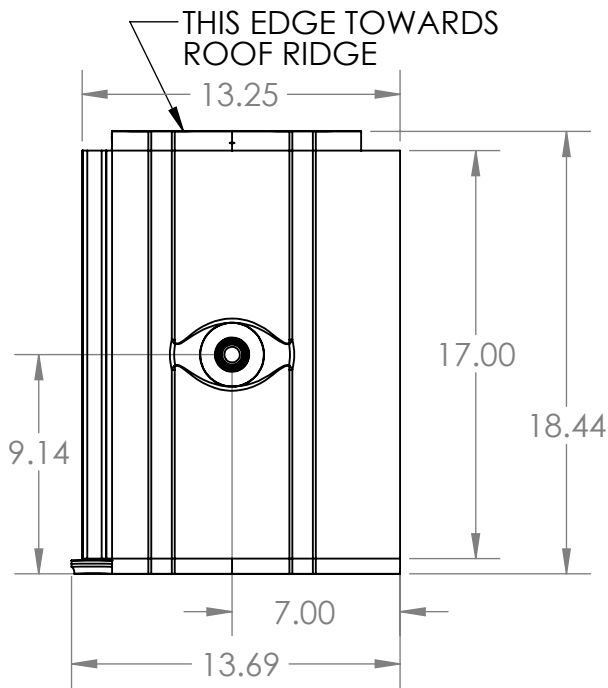
1. AVAILABLE IN MILL FINISH, AND BLACK FINISH
2. FLASHINGS MAY BE SPUN, OR PRESSED
3. ITEM 1 MATERIAL THICKNESS: .032"
4. ITEM 2 MATERIAL THICKNESS: .020" SPUN, .032" PRESSED

Quick Mount PV[®]

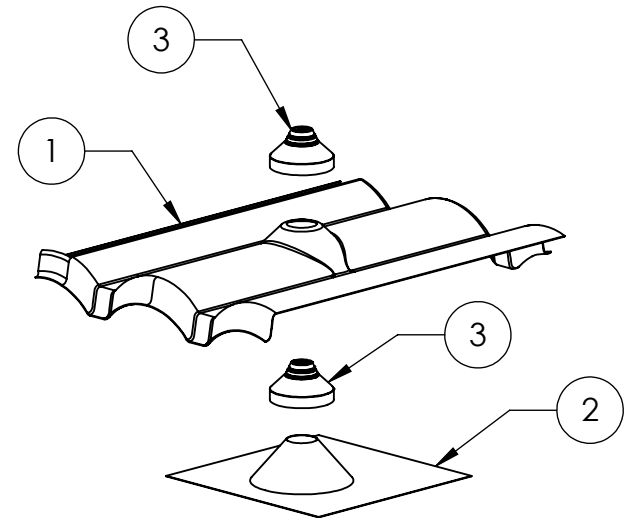
TITLE: **QMCPT-S: CONDUIT PENETRATION FLASHING, TILE REPLACEMENT, S-TILE**

UNLESS OTHERWISE SPECIFIED: DIMENSIONS ARE IN INCHES TOLERANCES: FRACTIONAL $\pm 1/8$ TWO PLACE DECIMAL $\pm .19$ THREE PLACE DECIMAL $\pm .094$	SIZE A	DRAWN BY: RAD	REV 1
	SCALE: 1:8	DATE: 3/6/2018	WEIGHT: 1.16

SHEET 1 OF 1

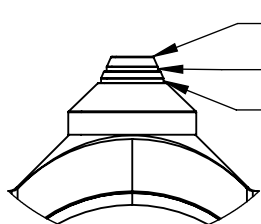


ITEM NO.	DESCRIPTION	QTY.
1	FLASHING, REPLACEMENT TILE, W-TILE, .625" CONE, ALUMINUM, MILL	1
2	SUB-FLASHING, CONE, 9"X9"X.020"/.032", 3003 AL, MILL	1
3	COUNTER FLASHING, CONDUIT, 1/2", 3/4", 1", EPDM RUBBER	2



NOTES:

1. AVAILABLE IN MILL FINISH, AND BLACK FINISH
2. FLASHINGS MAY BE SPUN, OR PRESSED
3. ITEM 1 MATERIAL THICKNESS: .032"
4. ITEM 2 MATERIAL THICKNESS: .020" SPUN, .032" PRESSED



TOP ID FOR 1/2" CONDUIT
 CUT HERE FOR 3/4" CONDUIT
 CUT HERE FOR 1" CONDUIT

APPLY EPDM COMPATIBLE SEALANT WHERE COUNTER FLASHING CONTACTS FLASHING

DETAIL A
 SCALE 1 : 4

NOTES APPLY TO UPPER AND LOWER COUNTER FLASHINGS

SUB-FLASHING
 ITEM 2 (ROTATED)

Quick Mount PV[®]

TITLE: **QMCPT-W: CONDUIT PENETRATION FLASHING, TILE REPLACEMENT, W-TILE**

UNLESS OTHERWISE SPECIFIED: DIMENSIONS ARE IN INCHES TOLERANCES: FRACTIONAL ± 1/8 TWO PLACE DECIMAL ±.19 THREE PLACE DECIMAL ±.094	SIZE A	DRAWN BY: RAD	REV 1
	SCALE: 1:8	DATE: 3/6/2018	WEIGHT: 1.21

SHEET 1 OF 1