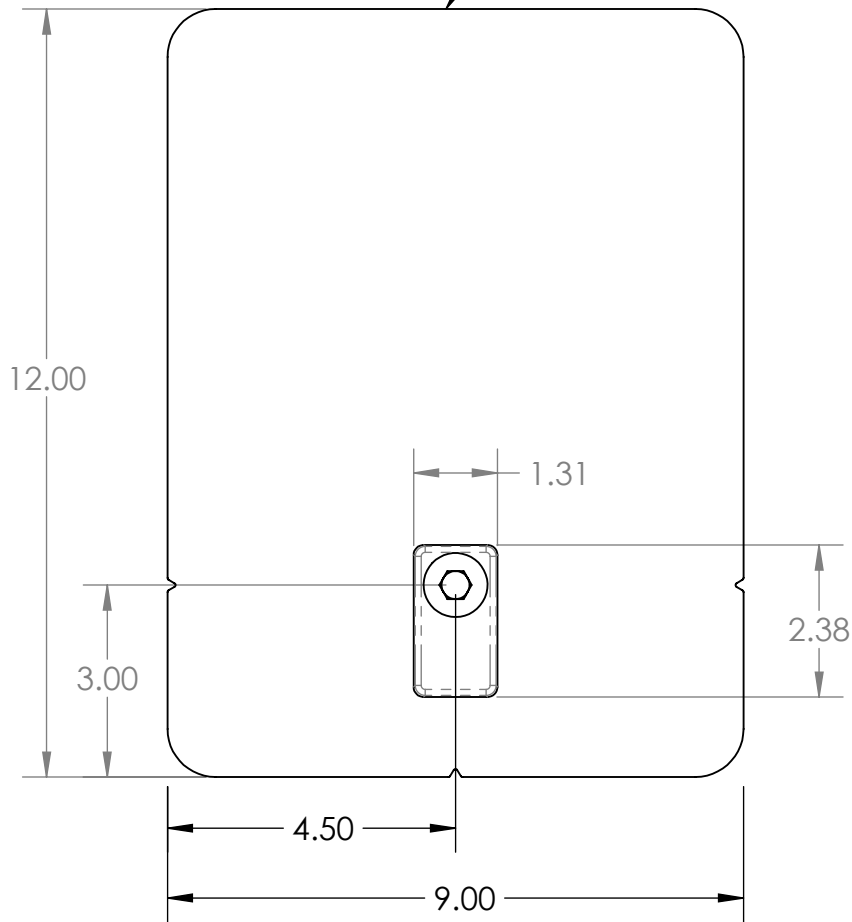


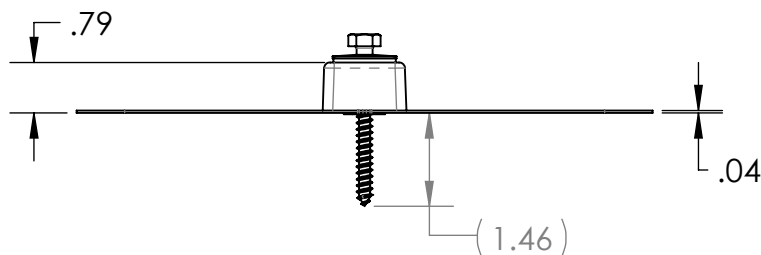
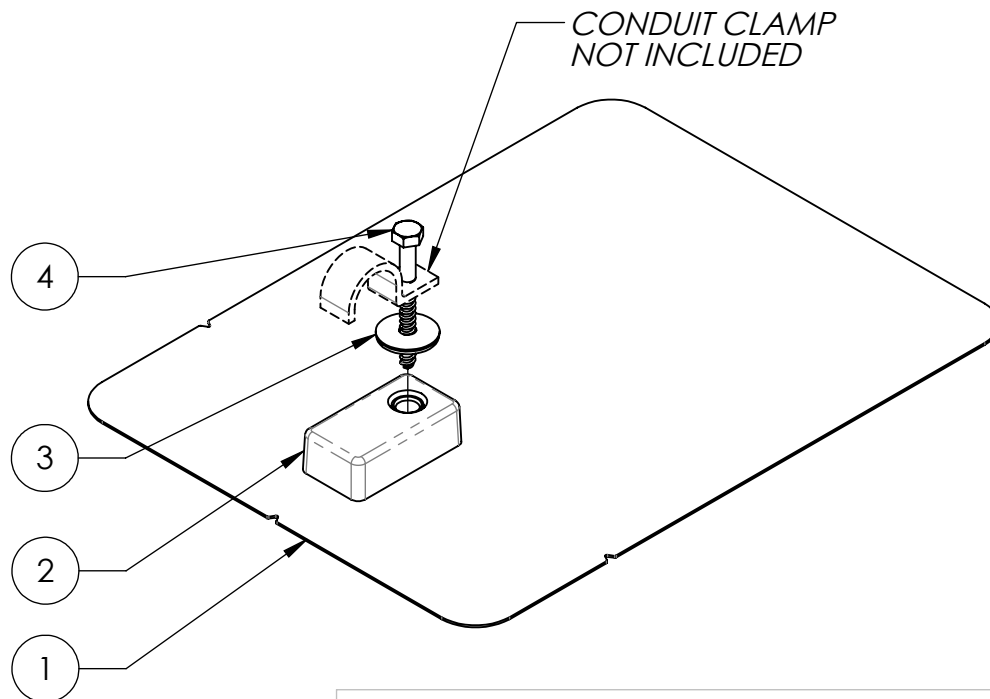
THIS EDGE TOWARDS ROOF RIDGE



ITEM NO.	DESCRIPTION	QTY.
1	FLASHING, ROUNDED CORNERS, 9" X 12" X .040", .500" HOLE, 5052, MILL	1
2	QBLOCK, CONDUIT, 5/16", CAST A360 AL, MILL	1
3	WASHER, SEALING, 1/4" ID X 1" OD, EPDM BONDED SS	1
4	LAG SCREW, HEX HEAD, 1/4" x 2-1/2", 18-8SS	1

AVAILABLE IN MILL, AND BLACK FINISHES

CONDUIT CLAMP NOT INCLUDED



Quick Mount PV[®]

TITLE:
QMCC: CLASSIC CONDUIT COMPOSITION MOUNT

UNLESS OTHERWISE SPECIFIED: DIMENSIONS ARE IN INCHES TOLERANCES: FRACTIONAL ± 1/8 TWO PLACE DECIMAL ±.19 THREE PLACE DECIMAL ±.094	SIZE A	DRAWN BY: AAP	REV 9
	SCALE: 1:3	DATE: 4/3/2019	WEIGHT: 0.55

SHEET 1 OF 1